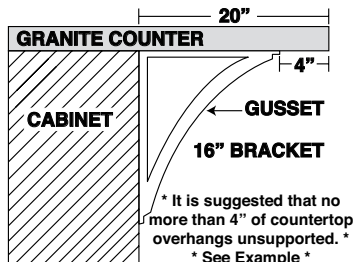


# Steel Countertop Support Brackets

**Available In:** 1008 Cold Rolled Steel / Raw (treated for customer's own painting or finishing) or 304 Stainless Steel  
**Thickness:** 1/4" (Except Where Noted)    **Flange Width:** 2"- 3"    **Hole Size:** Fits standard 1/4" screws/bolts

▲ Non-gusseted brackets have a 750 lb. load rating



### Finishes Available:

- 304 Stainless Steel (Brushed #4) – SS
- 1008 Cold Rolled Steel (Raw) – CRS
- Powder Coated Black – BLK
- Powder Coated White – WH



## Floating/Hidden Countertop Support Brackets

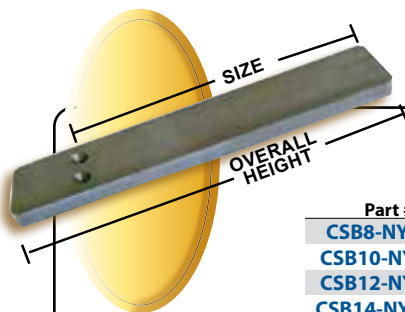
Our New Jersey, New York & Maine brackets create a floating countertop appearance with the solid strength of metal support. They give the maximum leg room, liberating you from the annoying knee knocking in cramped spaces. New Jersey brackets are ideal for island extensions where 2/3 of counter rests on another surface, hallway & pony wall applications. The New Jersey bracket is not useful in elevated applications or wall mounted countertops. New York & Maine brackets are best installed on the top plate of a knee wall.



### NEW JERSEY ▲

Part #	Finish	Size
CSB8-NJ-CRS	CRS	8" x 8"
CSB10-NJ-CRS	CRS	10" x 10"
CSB12-NJ-CRS	CRS	12" x 12"
CSB14-NJ-CRS*	CRS	14" x 14"
CSB16-NJ-CRS*	CRS	16" x 16"
CSB18-NJ-CRS**	CRS	18" x 18"
CSB20-NJ-CRS**	CRS	20" x 20"
CSB8-NJ-BLK	BLK	8" x 8"
CSB10-NJ-BLK	BLK	10" x 10"
CSB12-NJ-BLK	BLK	12" x 12"
CSB14-NJ-BLK*	BLK	14" x 14"
CSB16-NJ-BLK*	BLK	16" x 16"
CSB18-NJ-BLK**	BLK	18" x 18"
CSB20-NJ-BLK**	BLK	20" x 20"
CSB8-NJ-WH	WH	8" x 8"
CSB10-NJ-WH	WH	10" x 10"
CSB12-NJ-WH	WH	12" x 12"
CSB14-NJ-WH*	WH	14" x 14"
CSB16-NJ-WH*	WH	16" x 16"
CSB18-NJ-WH**	WH	18" x 18"
CSB20-NJ-WH**	WH	20" x 20"

\* 3/8" Thick      \*\* 1/2" Thick

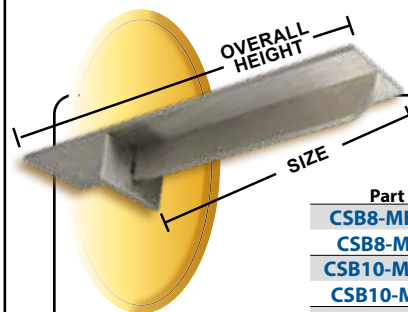


### NEW YORK ▲

Part #	Finish	Size	Overall Height
CSB8-NY-CRS	CRS	8"	12"
CSB10-NY-CRS	CRS	10"	14"
CSB12-NY-CRS	CRS	12"	16"
CSB14-NY-CRS*	CRS	14"	18"
CSB16-NY-CRS*	CRS	16"	20"
CSB18-NY-CRS*	CRS	18"	22"
CSB20-NY-CRS**	CRS	20"	24"
CSB8-NY-WH	WH	8"	12"
CSB10-NY-WH	WH	10"	14"
CSB12-NY-WH	WH	12"	16"
CSB14-NY-WH*	WH	14"	18"
CSB16-NY-WH*	WH	16"	20"
CSB18-NY-WH*	WH	18"	22"
CSB20-NY-WH**	WH	20"	24"

\* 3/8" Thick      \*\* 1/2" Thick

▲ (This is the support measurement, plate will be 4" longer for mounting.)



### MAINE

Part #	Finish	Size	Overall Height
CSB8-ME-CRS	CRS	8"	12"
CSB8-ME-SS	SS	8"	12"
CSB10-ME-CRS	CRS	10"	14"
CSB10-ME-SS	SS	10"	14"
CSB12-ME-CRS	CRS	12"	16"
CSB12-ME-SS	SS	12"	16"
CSB16-ME-CRS	CRS	16"	20"
CSB16-ME-SS	SS	16"	20"
CSB20-ME-CRS	CRS	20"	24"
CSB20-ME-SS	SS	20"	24"



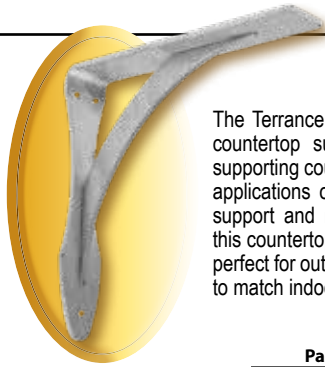
Many brackets have a load rating of over 1000 pounds per pair, as properly installed.  
 See full resource & installation guide online.

# Steel Countertop Support Brackets

**Available In:** 1008 Cold Rolled Steel / Raw (treated for customer's own painting or finishing) or 304 Stainless Steel  
**Thickness:** 1/4" (Except Where Noted)    **Flange Width:** 2"- 3"    **Hole Size:** Fits standard 1/4" screws/bolts

**Finishes Available:**

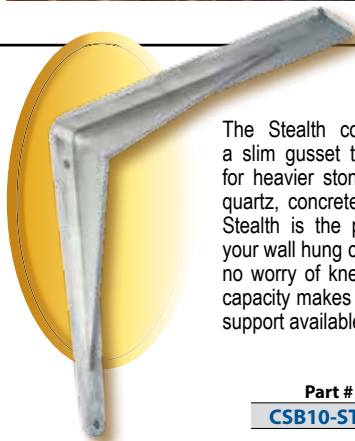
- 304 Stainless Steel (Brushed #4) – SS
- 1008 Cold Rolled Steel (Raw) – CRS
- Powder Coated Bronze – BRZ



## TERRANCE

The Terrance countertop support is a decorative countertop support bracket that is perfect for supporting countertop overhangs. Standard island applications or wall hung counters will have full support and maximum leg room for stools with this countertop support bracket. Stainless steel is perfect for outdoors while raw steel can be painted to match indoors.

Part #	Finish	Size
<a href="#">CSB10-TE-SS</a>	SS	10" x 10"
<a href="#">CSB12-TE-SS</a>	SS	12" x 12"



## STEALTH

The Stealth countertop support bracket has a slim gusset that provides additional support for heavier stone countertops such as granite, quartz, concrete and other solid surfaces. The Stealth is the perfect selection for supporting your wall hung counters, floating desks, etc. with no worry of knee knocking. A 500 pound carry capacity makes it perfect when there is no other support available.

Part #	Finish	Size
<a href="#">CSB10-ST-SS</a>	SS	10" x 10"



## IDAHO

A popular design, the decorative, curved gusset on the bracket makes for a very attractive support while giving good leg room. The gusset extends through the flanges of the brace to allow for welding on the backside of the support, giving no visible weld on the face. With a strong support capacity and an elegant appearance, these are great for all kitchen, bath and other decorative applications.

Part #	Finish	Size
<a href="#">CSB8-ID-CRS</a>	CRS	8" x 8"
<a href="#">CSB8-ID-SS</a>	SS	
<a href="#">CSB8-ID-BRZ</a>	BRZ	
<a href="#">CSB10-ID-CRS</a>	CRS	10" x 10"
<a href="#">CSB10-ID-SS</a>	SS	
<a href="#">CSB10-ID-BRZ</a>	BRZ	
<a href="#">CSB12-ID-CRS</a>	CRS	12" x 12"
<a href="#">CSB12-ID-SS</a>	SS	
<a href="#">CSB12-ID-BRZ</a>	BRZ	
<a href="#">CSB14-ID-CRS</a>	CRS	14" x 14"
<a href="#">CSB14-ID-SS</a>	SS	
<a href="#">CSB16-ID-CRS</a>	CRS	16" x 16"
<a href="#">CSB16-ID-SS</a>	SS	
<a href="#">CSB18-ID-CRS</a>	CRS	18" x 18"
<a href="#">CSB18-ID-SS</a>	SS	
<a href="#">CSB20-ID-CRS</a>	CRS	20" x 20"
<a href="#">CSB20-ID-SS</a>	SS	
<a href="#">CSB24-ID-CRS</a>	CRS	24" x 24"
<a href="#">CSB24-ID-SS</a>	SS	

The brackets have a load rating of over 1000 pounds per pair, as properly installed.  
 See full resource & installation guide online.

**Available In:** 1008 Cold Rolled Steel / Raw (treated for customer's own painting or finishing) or 304 Stainless Steel  
**Thickness:** 1/4" (Except Where Noted)    **Flange Width:** 2"- 3"    **Hole Size:** Fits standard 1/4" screws/bolts

**Finishes Available:**

304 Stainless Steel (Brushed #4) – SS  
 1008 Cold Rolled Steel (Raw) – CRS



## CALIFORNIA

A strong, solid support with an attractive touch. This support is unique in that it has a solid gusset for that extra support and an arrow shaped foot. This support is stylish fit in any kitchen or other application at your business or home.

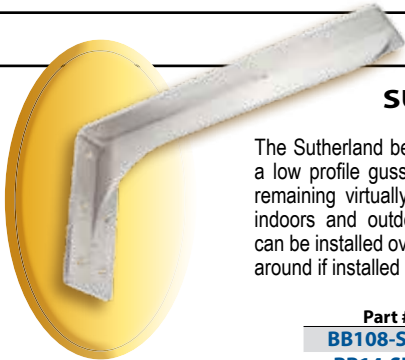
Part #	Finish	Size
CSB8-CA-CRS	CRS	8" x 8"
CSB8-CA-SS	SS	
CSB10-CA-CRS	CRS	10" x 10"
CSB10-CA-SS	SS	
CSB12-CA-CRS	CRS	12" x 12"
CSB12-CA-SS	SS	
CSB14-CA-CRS	CRS	14" x 14"
CSB14-CA-SS	SS	
CSB16-CA-CRS	CRS	16" x 16"
CSB16-CA-SS	SS	
CSB18-CA-CRS	CRS	18" x 18"
CSB18-CA-SS	SS	
CSB20-CA-CRS	CRS	20" x 20"
CSB20-CA-SS	SS	
CSB24-CA-CRS	CRS	24" x 24"
CSB24-CA-SS	SS	



## SOUTH CAROLINA

If you are looking for a low profile with a high capacity support, you have come to the right place. These are designed using a solid gusset to provide additional resistance against deflection.

Part #	Finish	Size
CSB8-SC-CRS	CRS	8" x 8"
CSB8-SC-SS	SS	
CSB10-SC-CRS	CRS	10" x 10"
CSB10-SC-SS	SS	
CSB12-SC-CRS	CRS	12" x 12"
CSB12-SC-SS	SS	
CSB14-SC-CRS	CRS	14" x 14"
CSB14-SC-SS	SS	
CSB16-SC-CRS	CRS	16" x 16"
CSB16-SC-SS	SS	
CSB18-SC-CRS	CRS	18" x 18"
CSB18-SC-SS	SS	
CSB20-SC-CRS	CRS	20" x 20"
CSB20-SC-SS	SS	
CSB24-SC-CRS	CRS	24" x 24"
CSB24-SC-SS	SS	



## SUTHERLAND

The Sutherland bench bracket is an angle bracket with a low profile gusset providing additional support while remaining virtually invisible under the bench. For use indoors and outdoors, the Sutherland bench support can be installed over the tile with the proper tools or tiled around if installed prior to tile work.

Part #	Finish	Size
BB108-SL-SS	SS	10" x 8"
BB14-SL-SS	SS	14" x 14"
BB16-SL-SS	SS	16" x 16"



## BANQUET

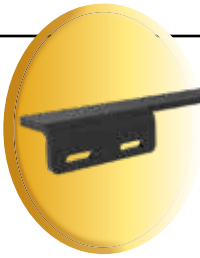
A heavy duty bench support bracket so strong, failure is not an option and you can take that to the bank! This heavy duty bench support bracket is made of 1/2" steel, with a strong plug welded gusset, great for locker rooms, restaurant banquettes, or outdoor benches.

Part #	Finish	Size
CSB16-BQ-CRS	CRS	16" x 8" x 3"

# Steel Countertop Support Brackets

**Available In:** Powder Coated Black or 1008 Cold Rolled Steel (treated for customer's own painting or finishing)  
**Thickness:** 1/4" (Except Where Noted)    **Flange Width:** 2"- 3"    **Hole Size:** Fits standard 1/4" screws/bolts

**Finish Available:**  
 1008 Cold Rolled Steel (Raw) – CRS  
 Powder Coated Black – BK



## HARMONY

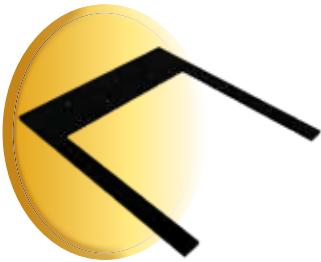
The Harmony hidden countertop support bracket is a hidden countertop support designed specifically for an island with base cabinets. Installed on 1 x 2 strips across the top of the cabinet, the Harmony hidden support is available in one size and positioned forward or back depending on support required. Strong support for granite, quartz, marble or other stone countertops from 8" to 24". The Harmony hidden countertop bracket is available with a right or left side mounting flange to avoid interference with drawer slides.

Part #	Finish	Size
CSB24-HY3R-BK	BK	24" 3 Pc. Right
CSB24-HY1R-BK	BK	24" 1 Pc. Right
CSB24-HY3L-BK	BK	24" 3 Pc. Left
CSB24-HY1L-BK	BK	24" 1 Pc. Left



Sento

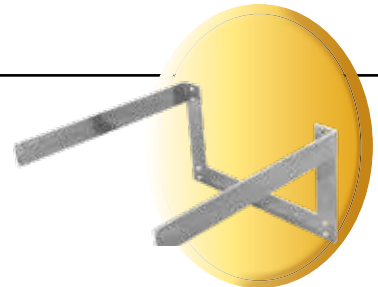
## REPUBLIC



The hidden support is a very popular configuration for breakfast bars and serving counters mounted on knee (pony) walls. Designed specifically to be used on a half wall, the Republic Top Plate hidden support is 12" long x 3.25" wide. When placed side by side the length of your half wall, our Republic's eliminate the need for routing or special wall treatment under the counter! Multiple holes allow you to fasten the Republic Top Plate without hitting the nails in the framework. Let Freedom Ring!

Part #	Finish	Size	Arm Width
CSB10-RP-BK	BK	10" x 12"	2"
CSB12-RP-BK	BK	12" x 12"	2"
CSB14-RP-BK	BK	14" x 12"	2"

*NOTE: The size shown for the Republic is the length of arm extensions under your counter. The Republic has the additional 3.25" that mounts over the 2x4 stud wall. (Ex. Overall length of the 10x12 is 13.25")*



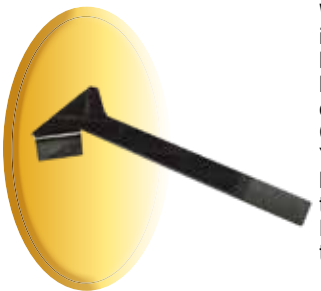
## SENTO

The Sento floating vanity support bracket provides balance and support strength with very little visibility. The formed fabrication process gives the Sento floating vanity support the strength to hold both base cabinets and countertops. The supporting arms are 18" long to support a 22" deep cabinet or countertop. Installation can be hidden behind wall material or through the cabinet base for a wall hung vanity.

Part #	Finish	Size
VSB1818-SEN-CRS	CRS	18" x 18"

*NOTE: Vanity Supports will comply with the Americans with Disabilities Act (ADA) when installed per the requirements of the Accessibility Guidelines, Section 606 Sinks, of the Act.*

## CORNERSTONE



We are proud to present another solution to countertop installation in that hidden category. The Cornerstone hidden bracket support extends from the corner of the base cabinets to support that awkward and always deeper overhang in an L shaped counter. The Cornerstone Corner bracket will identify with our New Jersey and New York brackets to support corners across America and beyond. Short down flanges for fastening to the inside of the cabinets will remain out of the way of cabinet drawers. Everything you could want in a hidden support bracket and then some. Sing your anthem today!

Part #	Finish	Size
CSB15-CS-BK	BK	12" x 6.44" x 2"
CSB18-CS-BK	BK	14" x 6.44" x 2"
CSB20-CS-BK	BK	17" x 6.44" x 2"

**Available In:** 1008 Cold Rolled Steel / Raw (treated for customer's own painting or finishing) or 304 Stainless Steel  
**Thickness:** 1/4" (Except Where Noted)    **Flange Width:** 2"- 3"    **Hole Size:** Fits standard 1/4" screws/bolts

## Elevated Support Brackets

### Finishes Available:

**304 Stainless Steel (Brushed #4) – SS**  
**1008 Cold Rolled Steel (Raw) – CRS**  
**Powder Coated Black – BK**  
**Powder Coated Bronze – BRZ**



### SOUTH DAKOTA

The South Dakota floating countertop support is designed to support a floating countertop above another counter or solid surface. The back plate facilitates connection to the wall or base cabinet so the gusset can extend above your countertop to support glass or granite counters and other solid surfaces. The South Dakota floating counter support should not be used on counters deeper than 18".

Part #	Finish	Size
<b>CSB1120-SD-SS</b>	SS	11.5" x 20"



### ARIZONA

These brackets are designed for the elevated application and enhance the finest of kitchens. The Arizona support's smooth contours and serpentine profile gives this support a character all of its own.

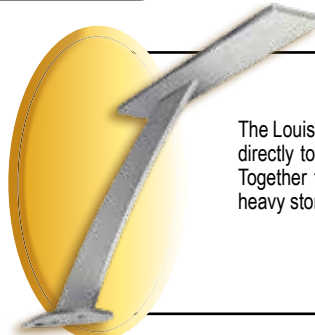
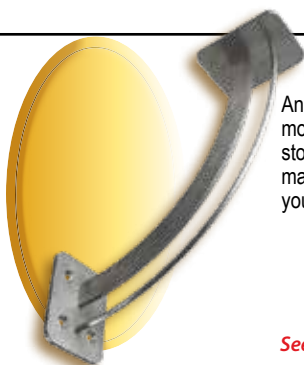
Part #	Finish	Size
<b>CSB12-AZ-CRS</b>	CRS	12" x 20"
<b>CSB12-AZ-SS</b>	SS	

### MONTANA

An elevated countertop support bracket, the Montana Design, mounted to a cabinet or wall, is shaped to support a heavy stone or glass bar up to 12" wide. The stainless steel version matches the look and feel any other stainless steel features in your room, such as appliances or railing.

Part #	Finish	Size
<b>CSB11-MT-SS</b>	SS	11" x 11"
<b>CSB11-MT-BLK</b>	BLK	11" x 11"
<b>CSB11-MT-BRZ</b>	BRZ	11" x 11"

*See page K-3 for bronze finish*



### LOUISIANA

The Louisiana, featuring a teardrop foot plate and a stylish gusset, bolts directly to the top of your counter or surface to elevate a top counter. Together these aspects create a durable support, capable of holding heavy stone or glass counters up to 18" wide.

Part #	Finish	Size Elevates	Top Plate
<b>CSB6-LA-SS</b>	SS	6"	10" x 2"

*\* Please specify if using elevated brackets to support a glass counter top.\**

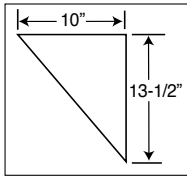
# Metal Bar Brackets

**Material: Cast Iron**

*With their graceful curves & scrolls cast iron metal bar brackets have a flowing movement that create an elegant design.*



- Size: 10" x 13-1/2"
- Pre-drilled and ready to install
- Supplied with color match mounting screws (#8 x 3/4")
- A substantial 7 lbs. each
- For interior applications



Flange Width



**Black (\*BLK)**



**Dark Brushed Antique Copper (\*DBAC)**



**Swedish Iron Machined (\*SIM)**

## 1-1/2" Flange Width



**MCOR1-\***

Swedish Iron Machined  
Not Available



**MCOR2-\***

Swedish Iron Machined  
Not Available



**MCOR3-\***



**MCOR4-\***

Swedish Iron Machined  
Not Available

Material: Cast Iron

Size: 10" x 13-1/2"

Available in: Black (\*BLK), Dark Brushed Antique Copper (\*DBAC)  
and Swedish Iron Machined (\*SIM)

Supplied with mounting screws (#8 x 3/4") • 7 lbs. each

1-7/8" Flange Width



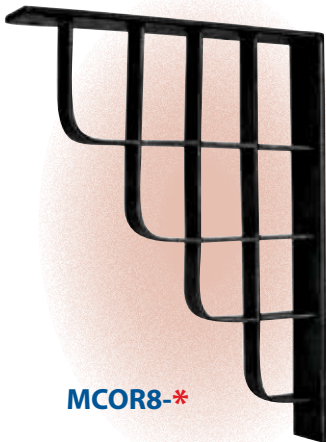
MCOR5-\*



MCOR6-\*



MCOR7-\*



MCOR8-\*



MCOR9-\*



MCOR10-\*

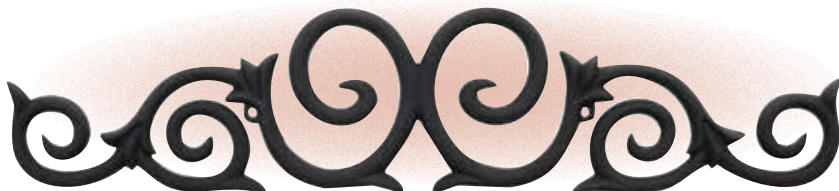
Metal Onlay

Material: Cast Iron

Size: 25" x 5-3/8" x 1/2"

One design available in 2 finishes: Black (\*BLK) and Dark Brushed Antique Copper (\*DBAC)

MONL-01-\*



# CREATE SPACE AND STORAGE WITH STYLE!

**MATERIAL: SOLID CARBON STEEL**

**Polished Chrome (PC) and Matte Chrome (MC)**



**Top Mount Application**

**2 STYLES!**  
Straight or Angled

- Variety of mounting options
- Ideal for wood or glass shelves

**STRAIGHT**  
Shown in  
Matte Chrome

**ANGLED**  
Shown in  
Polished Chrome

*FINISHES GO WITH ANY DECOR*



**Under Mount Application**



**Ultraviolet Application^**

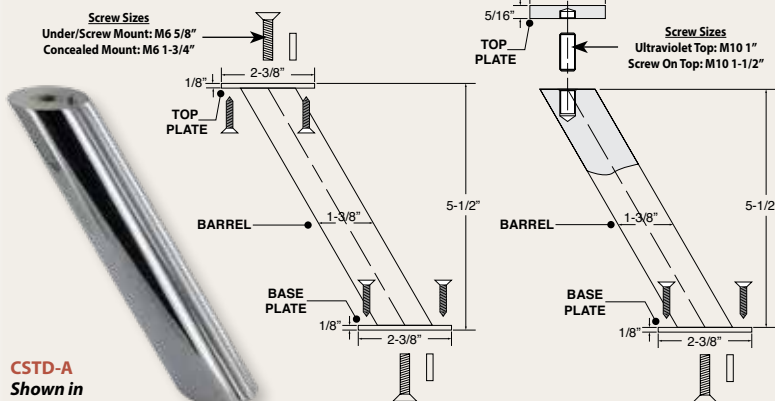
*^Requires ultraviolet adhesive and gun*



1

## Choose Barrel Type

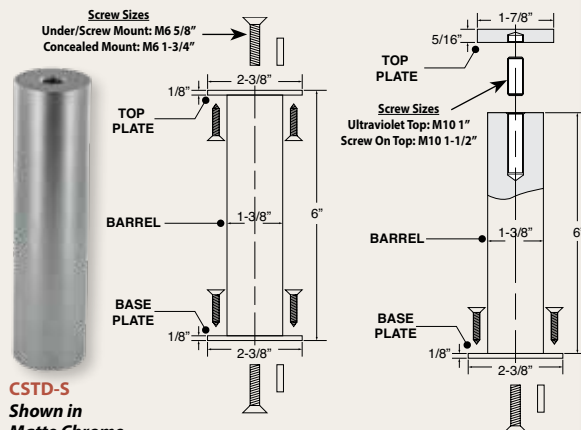
### ANGLED



**CSTD-A**  
Shown in  
Polished Chrome

110 LB. PER TWO

### STRAIGHT



**CSTD-S**  
Shown in  
Matte Chrome

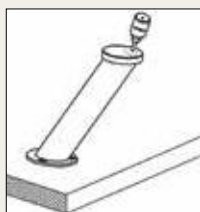
110 LB. PER TWO

TOP PLATE & BASE PLATE ARE DETACHABLE FROM THE BARREL. ALL RELEVANT MOUNTING PLATES & SCREWS ARE INCLUDED.

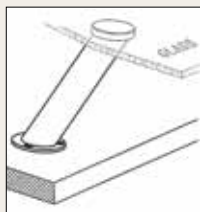
2

## Choose Top Mount/Top Plate

### Ultraviolet Code=U

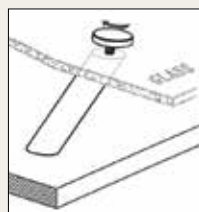


Apply UV Adhesive to Top

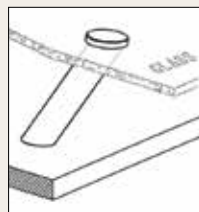


Place Glass on Top & Let UV Adhesive Cure (Use a UV light to cure adhesive)

### Screw On Code=T

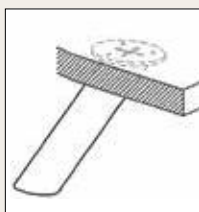


1. Drill Hole  
2. Screw Top to Barrel

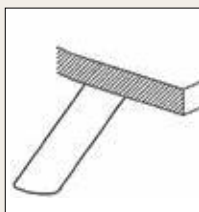


Finished Product

### Under Mount Code=S



Screw on to Wood Top

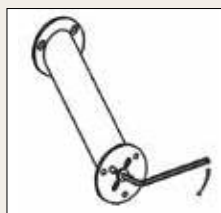


Finished Product

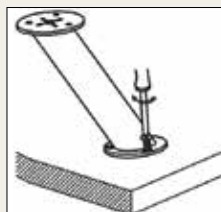
3

## Choose Base Mounting Style

### Screw Mount Code=88

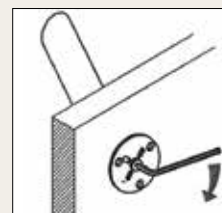


Secure Bottom Plate to Barrel

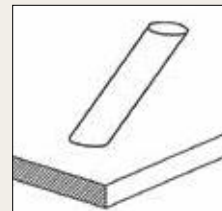


Attach Bottom Plate to Countertop

### Concealed Mount Code=44



1. Comes With 1-3/4" Screw  
2. Secure Bottom Plate to Barrel



Finished Product

4

## Choose A Finish



**Polished Chrome**  
Code=PC



**Matte Chrome**  
Code=MC

Please visit page K-11 for our UV Adhesive & Accessories

Part #	1 Barrel Type	2 Top Style	3 Base Style	4 Finish
<b>CSTD-A-U-44-*</b>	Angled	Ultraviolet	Concealed	*PC: Polished Chrome *MC: Matte Chrome
<b>CSTD-A-U-88-MC</b>	Angled	Screw On	Surface	
<b>CSTD-A-T-44-*</b>	Angled	Under Mount	Concealed	
<b>CSTD-A-S-44-MC</b>	Angled	Under Mount	Surface	*PC: Polished Chrome *MC: Matte Chrome
<b>CSTD-S-U-44-*</b>	Straight	Ultraviolet	Concealed	
<b>CSTD-S-T-44-MC</b>	Straight	Screw On	Concealed	
<b>CSTD-S-S-44-MC</b>	Straight	Under Mount	Concealed	*PC: Polished Chrome *MC: Matte Chrome
<b>CSTD-S-S-88-MC</b>	Straight	Under Mount	Surface	

# UV Glass Supports



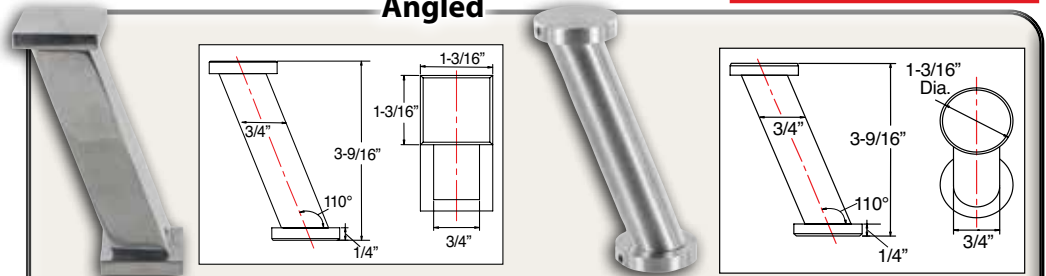
- Two Shapes available, round and square
- Two styles available, straight & angled
- Hex Key included 1 per order

**Material: Aluminum**

Finish: Polished Chrome & Matte Chrome

**Requires UV adhesive & curing light - Sold Separately**

## Angled

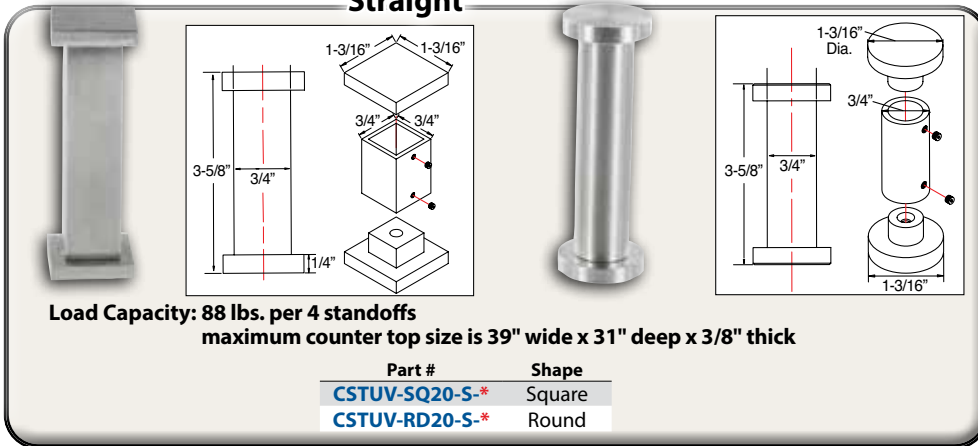


**Load Capacity: 55 lbs. per 4 standoffs**  
**maximum counter top size is 39" wide x 23" deep x 5/16" thick**

Part #	Shape
<b>CSTUV-SQ20-A*</b>	Square
<b>CSTUV-RD20-A-PC</b>	Round

FINISHES AVAILABLE	Polished Chrome Code= <b>PC*</b>	Matte Chrome Code= <b>MC*</b>
--------------------	-------------------------------------	----------------------------------

## Straight



**Load Capacity: 88 lbs. per 4 standoffs**  
**maximum counter top size is 39" wide x 31" deep x 3/8" thick**

Part #	Shape
<b>CSTUV-SQ20-S*</b>	Square
<b>CSTUV-RD20-S*</b>	Round

### Top Mount & Base Mount Ultraviolet

**Apply UV Adhesive to Top**

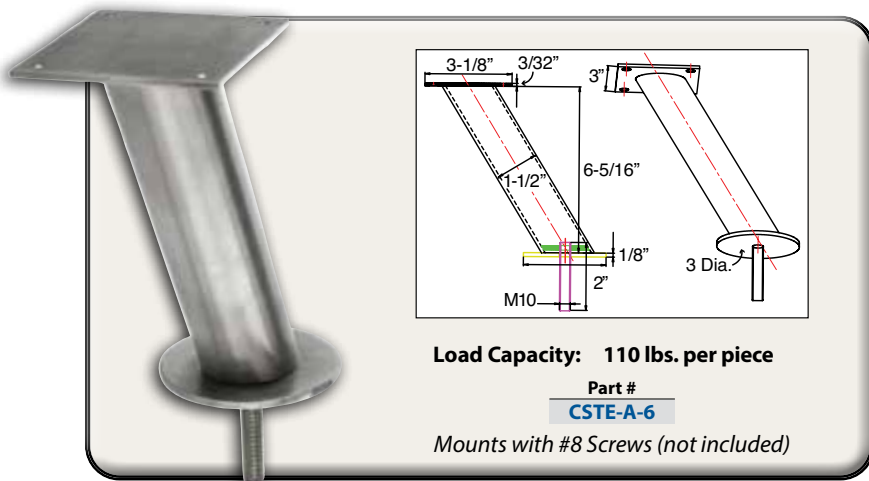
**Place Glass on Top & Let UV Adhesive Cure (Use a UV light to cure adhesive)**

# Economy Countertop Supports

**Material: 202 Grade Stainless Steel**

Brushed Stainless Finish

- Sleek, Modern look
- Easy to install



**Load Capacity: 110 lbs. per piece**

Part #
<b>CSTE-A-6</b>

Mounts with #8 Screws (not included)

### Top Mount Under Mount

**Screw on to Wood Top**

### Base Mount Surface Mount

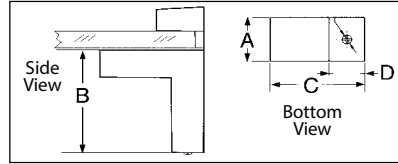
## Material: Zinc Alloy

Finish: Polished Chrome & Matte Chrome



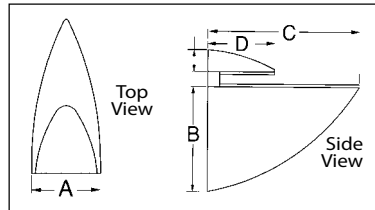
- Adjustable to hold glass thickness from 1/8" - 7/8"
- Supports shelves up to 12" deep

## SQUARE



Part #	Finish	A	B	C	D	Holds Material Thickness
GSS-SQ-*	Polished Chrome (PC*)	15/16"	2-5/8"	2-9/16"	11/16"	1/8" - 7/8"
	Matte Chrome (MC*)					

## ROUND



Part #	Finish	A	B	C	D	Holds Material Thickness
GSS-RD1-MC	Polished Chrome (PC*)	1"	1-9/16"	2"	3/4"	1/8" - 7/8"
GSS-RD2-*	Matte Chrome (MC*)	1"	1-7/8"	2-9/16"	1"	1/8" - 7/8"
GSS-RD3-*	Polished Chrome (PC*)	1-3/8"	3"	4"	1-9/16"	1/8" - 7/8"

# Wall Shelf Supports

## Material: Iron

Satin Chrome Finish w/Rubber Ring Cushions



- Overall size: 8-1/4"
- 7-3/4" usable size
- 1/2" diameter rod with 7/8" cap
- 44 lb. load capacity

Part #  
WSS-200



# Triangle Brackets



- **MATERIAL:** Aluminum Alloy/Steel
- Durable shelf bracket with a unique triangle design.
- Stylish appearance with concealed mounts.
- Cables can be wired and hidden through the inside of the bracket.
- Mounting screws included for the base and cover.
- Ideal for work/study areas and kitchen/cafe shop counters.



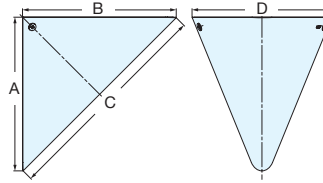
BK-TR200-SL



BK-TR100-WT



BK-TR60-BL



Part #	Finish	Load Capacity	A	B	C	D
BK-TR60-*	Black (*BL)	89.9 lbs. per piece	2-5/16" (59.5mm)	2-5/16" (59.5mm)	3-1/4" (83.2mm)	2-3/16" (55.3mm)
BK-TR100-*	Silver (*SL)	179.8 lbs. per piece	4" (100.8mm)	4" (100.8mm)	5-9/16" (141.5mm)	3-9/16" (91.3mm)
BK-TR200-*	White (*WT)	224.8 lbs. per piece	7-15/16" (201.2mm)	7-15/16" (201.2mm)	11-3/16" (283.5mm)	7-3/16" (182.6mm)

# 304 Stainless Steel Folding Brackets



## ELECTRO POLISHED CHROME FINISH



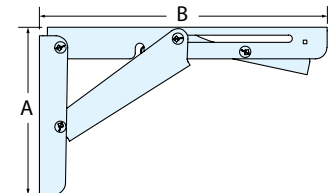
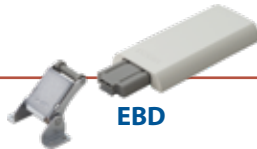
Shown: EB-303/EP

- Automatically locks when flap is in opened position
- Depress lever to release the lock
- Bracket with hinge function in one unit
- Available in sizes (EB-303 is NSF Certified only)
- Damper unit EBD available for use with all EB Series brackets (Sold Separately)

Part #	Load Capacity	A	B
EB-200/EP	385 lbs. per piece	116 (4-9/16")	199.5 (7-55/64")
NSF EB-303/EP	330 lbs. per piece	165 (6-1/2")	305.5 (12-1/32")
EB-317/EP	440 lbs. per piece	171 (6-47/64")	317 (12-31/64")

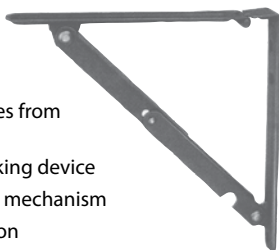
## DAMPER for EB Folding Bracket

- **MATERIAL:** ABS/POM/Steel
- **FINISH/COLOR:** Gray/Zinc/Chrome
- Lapcon technology provides soft-close movement downward
- Easy surface mount installation
- Ideal for counter flaps at bars, restaurants and receptions
- **Torque: 75.3-132.8 lbs./inch**



# Folding Shelf Brackets

## WHITE ENAMEL EPOXY PAINTED FINISH



- For drop down shelves from 8" to 24" in width
- Automatic safety locking device
- Quick release folding mechanism
- Solid rivet construction

Part #	Size
SH-120-WH	12" x 12"
SH-160-WH	16" x 16"

# Shelf Brackets

## GRAY OR WHITE ENAMEL PORCELAIN PAINTED FINISH



- Six screw holes in each bracket for greater stability
- One piece construction
- Heavy gauge .0354
- Smooth edge steel
- Center rib design for greater strength
- Staggered screw mounts
- Countersunk screw holes
- Screws *not* included

Part #	Size	Weight Capacity	Ctn Qty
SHB-34-GY	3" x 4"	40 lbs.	288
SHB-34-WH	3" x 4"	40 lbs.	
SHB-45-GY	4" x 5"	40 lbs.	
SHB-45-WH	4" x 5"	40 lbs.	
SHB-56-GY	5" x 6"	45 lbs.	200
SHB-56-WH	5" x 6"	45 lbs.	
SHB-68-GY	6" x 8"	55 lbs.	
SHB-68-WH	6" x 8"	55 lbs.	
SHB-810-GY	8" x 10"	55 lbs.	240
SHB-810-WH	8" x 10"	55 lbs.	
SHB-1012-WH	10" x 12"	65 lbs.	120
SHB-1214-GY	12" x 14"	75 lbs.	
SHB-1214-WH	12" x 14"	75 lbs.	

## WORK STATION BRACKETS

1000 lbs. Per Pair (On All Sizes)

AVAILABLE IN 4 TEXTURED POWDER COAT FINISHES:

• Black (\*BK) • White (\*WH) • Gray (\*GY) • Almond (\*AL)

- High quality 1/8" steel
- 1-1/2" Forms with multiple 1/4" mounting holes per side
- 12" x 18" & up have a 3" x 3" x 45° notch to allow for wall cleat and wire clearance
- Mounts with 1/4" lag bolts, not included

Part #	Size
WSB-58-*	5" x 8"
WSB-812-*	8" x 12"
WSB-1218-*	12" x 18"
WSB-1521-*	15" x 21"
WSB-1818-*	18" x 18"
WSB-1824-*	18" x 24"
WSB-2424-*	24" x 24"
WSB-2429-*	24" x 29"



**Width & Height of the bracket are reversible. Brackets come with pre-drilled screw holes on both sides.**

## CONCEALED BRACKETS

1590 - 4520 lbs. Per Pair

Black (\*BK) & White (\*WH) Textured Powder Coat Finish

- Square mounting holes to lock bolt in place for single tool tightening
- Mounts with 3/8" carriage bolts, included
- Installs into wall studs pre-drywall



Part #	Height	Support		Load Capacity Per Pair
		Arm Length	Arm Length	
CSB-912-*	12"	9"	9"	4520 lbs.
CSB-1212-*	12"	12"	12"	4020 lbs.
CSB-1818-*	18"	18"	18"	2060 lbs.
CSB-2418-*	18"	24"	18"	1590 lbs.

## EXTENDED CONCEALED BRACKETS

2320 - 7350 lbs. Per Pair

Black (\*BK) & White (\*WH) Textured Powder Coat Finish

- Square mounting holes to lock bolt in place for single tool tightening
- Mounts with 3/8" carriage bolts, included
- Installs into wall studs pre-drywall



Part #	Height	Support		Load Capacity Per Pair
		Arm Length	Arm Length	
ESB-920-*	20"	9"	9"	7350 lbs.
ESB-1220-*	20"	12"	12"	3100 lbs.
ESB-1826-*	26"	18"	18"	4500 lbs.
ESB-2426-*	26"	24"	18"	2320 lbs.

## HYBRID BRACKETS

1360 - 2050 lbs. Per Pair

Black (\*BK) & White (\*WH) Textured Powder Coat Finish

- Can be surface mounted or concealed for floating shelf appearance
- Non handed
- Vertical Arm 1-1/2" W x 3/4" Thick, Horizontal Arm 1-1/2" x 1-1/2"
- Plastic finishing caps included
- Mounts with 1/4" lag bolts, not included



Part #	Height	Support		Load Capacity Per Pair
		Arm Length	Arm Length	
HSB-1212-*	12"	12"	12"	2050 lbs.
HSB-1818-*	18"	18"	18"	1780 lbs.
HSB-2424-*	24"	24"	24"	1360 lbs.

## STEALTH BRACKETS

300 lbs. Per Pair

Black (\*BK), Primed (\*P) & White (\*WH) Powder Coat Finish

Material: Steel

- Creates the appearance of floating countertop
- Easy to install
- 3-1/2"W x 3/16" Thick
- Countersunk holes for #8 or #10 bugle head screws, (1-1/4" - 1-1/2" length recommended for cabinet side, 3/4" length recommended for countertop side).



Part #	Length
SB-12-STEALTH-*	12"
SB-16-STEALTH-*	16"