

# Decorative Appliques, Corbels & Scrolls

Architectural Products has expanded its line of decorative appliques, scrolls & corbels. Available in a variety of materials, we have something to fit every design, size and budget. Whether you are putting a finishing touch on a custom cabinet or creating a dramatic focal point on your mantel, we are your source for decorative ornaments.

**NOTE:** Due to hand carving, slight variations in size and design may occur.

## ROYAL WOOD COLLECTION

These ornaments are made of North American Hard Maple, Red Oak, Cherry and Alder.



### Installation:

\*These items can be mounted with the pre-attached keyhole brackets. All other items apply a bead of standard construction adhesive to the back of ornament and secure to mounting surface using finish nails or standard screws. Pre-drill and countersink all nails/screws. Fill any holes with wood putty, and sand with a fine grit sandpaper.

### Finishing:

Can be painted or faux finished with any quality latex or oil based product. If painting, a prime coat is required. Can be stained with standard stains. Follow stain manufacturer's instructions for top coating. Product varies in color from piece to piece and has a woodgrain texture. Available in maple and white hardwood. See product description for availability.

\*All items noted are supplied with pre-attached keyhole hangers.

## WHITE HARDWOOD

These ornaments are made of Medium Density light grain White Wood. (Similar to Bass Wood).



### Installation:

Apply a bead of standard construction adhesive to the back of ornament and secure to mounting surface using finish nails or standard screws. Pre-drill and countersink all nails/screws. Fill any holes with wood putty, and sand with a fine grit sandpaper.

### Finishing:

Can be painted or faux finished with any quality latex or oil based product. If painting, a prime coat is required. Can be stained with standard stains. Follow stain manufacturer's instructions for top coating. See product description for availability.

## EMBOSSED VENEER

These ornaments are made of a laminated wood with a veneered surface. Detail is pressed in.



### Installation:

Apply a bead of standard construction adhesive to the back of ornament and secure to mounting surface by countersinking finish nails or temporarily secure with a clamp, tape, etc. until adhesive cures. Due to the fragile nature of these items, we recommend pre-drilling any nail holes. Fill any holes with wood putty, and sand with a fine grit sandpaper.

### Finishing:

Can be painted or faux finished with any quality latex or oil based product. If painting, a prime coat is required. Can be stained with standard stains. Follow stain manufacturer's instructions for top coating. Product varies in color from piece to piece and has a slight woodgrain texture. Available in Bombax Ceiba (similar to pine), maple and red oak veneer. See product description for availability.

## ARTISAN RESIN COLLECTION

Offered in a wide variety of architectural elements crafted from a select Hardwood Maple and Resin blend, The Resin Artisan collection, can be tooled and finished in the same manner as wood.



### Installation:

Apply a bead of standard construction adhesive to the back of the ornament and secure it to its intended mounting surface using standard screws (galvanized for exterior applications). Pre-drill and countersink all screws. Fill any holes with exterior wood putty and sand with fine grit sandpaper.

### Finishing:

Can either be painted or faux finished with any high quality latex or oil based product. Can also be stained with a gel or non-penetrating stain. Fill any holes with exterior wood putty and sand with fine grit sandpaper.

*Some ornaments have been finished for photographic purposes - ornaments come unfinished only.*

## POLYMER RESIN ORNAMENTS

*These ornaments are made of a polymer resin.*



### Installation:

Apply a bead of standard construction adhesive to the back of ornament, then secure to mounting surface using standard screws (galvanized for exterior applications). Pre-drill and countersink all screws. Fill any holes with exterior wood putty, and sand with a fine grit sandpaper.

### Finishing:

Can be painted or faux finished with any quality latex or oil based product. Can also be stained with a gel/non-penetrating stain. Recommended to clean with mineral spirits before finishing. Follow stain manufacturer's instructions for top coating. If painting, priming is not necessary, although two finish coats may be required for light colors. Product is tan in color and surface varies from smooth to woodgrain like texture.

## POLYURETHANE NON-TEXTURED CORBELS

*These corbels are made of non-textured high density polyurethane.  
Lightweight, factory primed and ready to paint.*



### Installation:

Apply a bead of standard construction adhesive to the back of the ornament and secure it to its intended mounting surface by countersinking finish nails (galvanized for exterior applications) or temporarily secure it with a clamp, tape, or otherwise until the adhesive cures. Fill any holes with exterior wood putty and sand with fine grit sandpaper.

### Finishing:

Can be painted or faux finished with any quality latex or oil based product. Can also be stained with a gel/non-penetrating stain. Follow stain manufacturer's instructions for top coating.

## POLYURETHANE NON-TEXTURED ORNAMENTS

*These ornaments are made of non-textured high density  
polyurethane. Lightweight, factory primed and ready to paint.*



### Installation:

Apply a bead of standard construction adhesive to the back of the ornament and secure it to its intended mounting surface by countersinking finish nails (galvanized for exterior applications) or temporarily secure it with a clamp, tape, or otherwise until the adhesive cures. Fill any holes with exterior wood putty and sand with fine grit sandpaper.

### Finishing:

Can be painted or faux finished with any quality latex or oil based product. Can also be stained with a gel/non-penetrating stain. Follow stain manufacturer's instructions for top coating.

*Some ornaments have been finished for photographic purposes - ornaments come unfinished only.*



# ROSETTES

These ornaments are made of  
North American Hard Maple, Red Oak, Cherry & Alder.



**RWC02-S** (Hard Maple)  
**RWC02-S-OAK** (Red Oak)  
**RWC02-S-CH** (Cherry)  
**RWC02-S-ALD** (Alder)  
2-7/8" Dia. x 1/2" Depth

**RWC02-M** (Hard Maple)  
**RWC02-M-OAK** (Red Oak)  
**RWC02-M-CH** (Cherry)  
**RWC02-M-ALD** (Alder)  
3-3/4" Dia. x 5/8" Depth

**RWC02-L** (Hard Maple)  
**RWC02-L-OAK** (Red Oak)  
**RWC02-L-CH** (Cherry)  
**RWC02-L-ALD** (Alder)  
4-7/8" Dia. x 3/4" Depth

**RWC02-XL** (Hard Maple)  
**RWC02-XL-OAK** (Red Oak)  
**RWC02-XL-CH** (Cherry)  
**RWC02-XL-ALD** (Alder)  
6-1/2" Dia. x 1" Depth



**RWC003-S** (Hard Maple)  
**RWC003-S-OAK** (Red Oak)  
**RWC003-S-CH** (Cherry)  
3-1/2" Dia. x 3/8" Depth

**RWC003-M** (Hard Maple)  
**RWC003-M-OAK** (Red Oak)  
**RWC003-M-CH** (Cherry)  
4" Dia. x 1/2" Depth

**RWC003-L** (Hard Maple)  
**RWC003-L-OAK** (Red Oak)  
**RWC003-L-CH** (Cherry)  
5-1/2" Dia. x 5/8" Depth

**RWC003-XL** (Hard Maple)  
**RWC003-XL-OAK** (Red Oak)  
**RWC003-XL-CH** (Cherry)  
7" Dia. x 7/8" Depth



**RWC004-S** (Hard Maple)  
**RWC004-S-OAK** (Red Oak)  
**RWC004-S-CH** (Cherry)  
**RWC004-S-ALD** (Alder)  
4" Dia. x 3/8" Depth

**RWC004-M** (Hard Maple)  
**RWC004-M-OAK** (Red Oak)  
**RWC004-M-CH** (Cherry)  
**RWC004-M-ALD** (Alder)  
5" Dia. x 1/2" Depth

**RWC004-L** (Hard Maple)  
**RWC004-L-OAK** (Red Oak)  
**RWC004-L-CH** (Cherry)  
**RWC004-L-ALD** (Alder)  
6" Dia. x 5/8" Depth

**RWC004-XL** (Hard Maple)  
**RWC004-XL-OAK** (Red Oak)  
**RWC004-XL-CH** (Cherry)  
**RWC004-XL-ALD** (Alder)  
8" Dia. x 7/8" Depth



**RWC04-S** (Hard Maple)  
**RWC04-S-OAK** (Red Oak)  
**RWC04-S-CH** (Cherry)  
**RWC04-S-ALD** (Alder)  
3" Dia. x 1-1/4" Depth

**RWC04-M** (Hard Maple)  
**RWC04-M-OAK** (Red Oak)  
**RWC04-M-CH** (Cherry)  
**RWC04-M-ALD** (Alder)  
4" Dia. x 1-5/8" Depth

**RWC04-L** (Hard Maple)  
**RWC04-L-OAK** (Red Oak)  
**RWC04-L-CH** (Cherry)  
**RWC04-L-ALD** (Alder)  
5" Dia. x 2" Depth

**RWC04-XL** (Hard Maple)  
**RWC04-XL-OAK** (Red Oak)  
**RWC04-XL-CH** (Cherry)  
**RWC04-XL-ALD** (Alder)  
7" Dia. x 2-13/16" Depth



**RWC011-S** (Hard Maple)  
**RWC011-S-OAK** (Red Oak)  
**RWC011-S-CH** (Cherry)  
**RWC011-S-ALD** (Alder)  
3-1/4"H x 3-1/4" W x 3/8" Depth

**RWC011-M** (Hard Maple)  
**RWC011-M-OAK** (Red Oak)  
**RWC011-M-CH** (Cherry)  
**RWC011-M-ALD** (Alder)  
4"H x 4" W x 1/2" Depth

**RWC011-L** (Hard Maple)  
**RWC011-L-OAK** (Red Oak)  
**RWC011-L-CH** (Cherry)  
**RWC011-L-ALD** (Alder)  
4-7/8"H x 4-7/8" W x 5/8" Depth



**RWC01-S** (Hard Maple)  
**RWC01-S-OAK** (Red Oak)  
**RWC01-S-CH** (Cherry)  
**RWC01-S-ALD** (Alder)  
2-1/2" Sq. x 1/2" Depth

**RWC01-M** (Hard Maple)  
**RWC01-M-OAK** (Red Oak)  
**RWC01-M-CH** (Cherry)  
**RWC01-M-ALD** (Alder)  
3-1/4" Sq. x 3/4" Depth

**RWC01-L** (Hard Maple)  
**RWC01-L-OAK** (Red Oak)  
**RWC01-L-CH** (Cherry)  
**RWC01-L-ALD** (Alder)  
3-3/4" Sq. x 7/8" Depth

(Measurements are approximate)

# ROSETTES & CAPITALS

These ornaments are made of  
North American Hard Maple, Red Oak, Cherry & Alder.



**RWC008-S** (Hard Maple)  
**RWC008-S-OAK** (Red Oak)  
**RWC008-S-CH** (Cherry)  
3-1/4"H x 1-5/8"W x 3/8" Depth

**RWC008-M** (Hard Maple)  
**RWC008-M-OAK** (Red Oak)  
**RWC008-M-CH** (Cherry)  
3-7/8"H x 1-7/8"W x 1/2" Depth

**RWC008-L** (Hard Maple)  
**RWC008-L-OAK** (Red Oak)  
**RWC008-L-CH** (Cherry)  
5-3/8"H x 2-1/2"W x 1/2" Depth

**RWC008-XL** (Hard Maple)  
**RWC008-XL-OAK** (Red Oak)  
**RWC008-XL-CH** (Cherry)  
5-7/8"H x 3-1/4"W x 5/8" Depth



**RWC104-XS** (Hard Maple)  
**RWC104-XS-OAK** (Red Oak)  
**RWC104-XS-CH** (Cherry)  
3" H x 3" W x 3/8" Depth

**RWC104-S** (Hard Maple)  
**RWC104-S-OAK** (Red Oak)  
**RWC104-S-CH** (Cherry)  
4" H x 4" W x 1/2" Depth

**RWC104-M** (Hard Maple)  
**RWC104-M-OAK** (Red Oak)  
**RWC104-M-CH** (Cherry)  
5" H x 5" W x 1/2" Depth

**RWC104-L** (Hard Maple)  
**RWC104-L-OAK** (Red Oak)  
6" H x 6" W x 5/8" Depth

**RWC104-XL** (Hard Maple)  
**RWC104-XL-OAK** (Red Oak)  
**RWC104-XL-CH** (Cherry)  
8" H x 8" W x 7/8" Depth



**RWC009-S** (Hard Maple)  
**RWC009-S-OAK** (Red Oak)  
**RWC009-S-CH** (Cherry)  
**RWC009-S-ALD** (Alder)  
3-1/8" H x 3" W x 1/2" Depth

**RWC009-L** (Hard Maple)  
**RWC009-L-OAK** (Red Oak)  
**RWC009-L-CH** (Cherry)  
**RWC009-L-ALD** (Alder)  
3-7/8" H x 3-3/4" W x 5/8" Depth



**RWC113-S** (Hard Maple)  
**RWC113-S-OAK** (Red Oak)  
**RWC113-S-CH** (Cherry)  
**RWC113-S-ALD** (Alder)  
5-1/2" H x 3-1/4" W x 1" Depth  
**2-3/4" Collar\***

**RWC113-L** (Hard Maple)  
**RWC113-L-OAK** (Red Oak)  
**RWC113-L-CH** (Cherry)  
**RWC113-L-ALD** (Alder)  
7-1/2" H x 4-1/2" W x 1-1/4" Depth  
**3-3/4" Collar\***



**RWC116-S** (Hard Maple)  
**RWC116-S-OAK** (Red Oak)  
**RWC116-S-CH** (Cherry)  
3" H x 6-7/8" W x 1-5/8" Depth  
**2-3/4" Collar\***

**RWC116-M** (Hard Maple)  
**RWC116-M-OAK** (Red Oak)  
**RWC116-M-CH** (Cherry)  
4" H x 9-1/4" W x 2" Depth  
**3-3/4" Collar\***

**RWC116-L** (Hard Maple)  
**RWC116-L-OAK** (Red Oak)  
**RWC116-L-CH** (Cherry)  
4-5/8" H x 10-3/8" W x 2-3/8" Depth



**RWC119-S** (Hard Maple)  
**RWC119-S-OAK** (Red Oak)  
**RWC119-S-CH** (Cherry)  
**RWC119-S-ALD** (Alder)  
4" H x 3-7/8" W x 1" Depth  
**2-3/4" Collar\***

**RWC119-M** (Hard Maple)  
**RWC119-M-OAK** (Red Oak)  
**RWC119-M-CH** (Cherry)  
**RWC119-M-ALD** (Alder)  
5-3/8" H x 5-1/4" W x 1-1/8" Depth  
**3-3/4" Collar\***

**RWC119-L** (Hard Maple)  
**RWC119-L-OAK** (Red Oak)  
**RWC119-L-CH** (Cherry)  
**RWC119-L-ALD** (Alder)  
6-1/4" H x 6-1/8" W x 1-1/4" Depth

**RWC119-XL** (Hard Maple)  
**RWC119-XL-OAK** (Red Oak)  
**RWC119-XL-CH** (Cherry)  
**RWC119-XL-ALD** (Alder)  
8-1/8" H x 8-1/8" W x 1-5/8" Depth



**RWC122-S** (Hard Maple)  
**RWC122-S-OAK** (Red Oak)  
**RWC122-S-CH** (Cherry)  
3-3/8" H x 4-1/8" W x 1-3/8" Depth  
**2-3/4" Collar\***

**RWC122-L** (Hard Maple)  
**RWC122-L-OAK** (Red Oak)  
**RWC122-L-CH** (Cherry)  
4-3/4" H x 5-5/8" W x 1-3/4" Depth  
**3-3/4" Collar\***

(Measurements are approximate)



# DECOS

These ornaments are made of  
North American Hard Maple, Red Oak, Cherry & Alder.



- RWC007-S** (Hard Maple)
- RWC007-S-OAK** (Red Oak)
- RWC007-S-CH** (Cherry)
- RWC007-S-ALD** (Alder)
- 5-5/8" H x 3-1/4" W x 3/4" Depth
- RWC007-M** (Hard Maple)
- RWC007-M-OAK** (Red Oak)
- RWC007-M-CH** (Cherry)
- RWC007-M-ALD** (Alder)
- 7-5/8" H x 4-3/8" W x 1" Depth
- RWC007-L** (Hard Maple)
- RWC007-L-OAK** (Red Oak)
- RWC007-L-CH** (Cherry)
- RWC007-L-ALD** (Alder)
- 9-1/8" H x 5-1/4" W x 1-1/8" Depth
- RWC007-XL** (Hard Maple)
- RWC007-XL-OAK** (Red Oak)
- RWC007-XL-CH** (Cherry)
- RWC007-XL-ALD** (Alder)
- 11-7/8" H x 7" W x 1-3/8" Depth



- RWC05-S** (Hard Maple)
- RWC05-S-OAK** (Red Oak)
- RWC05-S-CH** (Cherry)
- RWC05-S-ALD** (Alder)
- 5-7/8" H x 2-1/2" W x 7/8" Depth
- RWC05-M** (Hard Maple)
- RWC05-M-OAK** (Red Oak)
- RWC05-M-CH** (Cherry)
- RWC05-M-ALD** (Alder)
- 7-1/2" H x 3-1/8" W x 1" Depth
- RWC05-L** (Hard Maple)
- RWC05-L-OAK** (Red Oak)
- RWC05-L-CH** (Cherry)
- RWC05-L-ALD** (Alder)
- 9-1/4" H x 3-7/8" W x 1-1/4" Depth



- RWC101-S** (Hard Maple)
- RWC101-S-OAK** (Red Oak)
- RWC101-S-CH** (Cherry)
- 5-5/8" H x 3-3/8" W x 3/4" Depth
- RWC101-M** (Hard Maple)
- RWC101-M-OAK** (Red Oak)
- RWC101-M-CH** (Cherry)
- 7-1/2" H x 4-1/2" W x 1" Depth
- RWC101-L** (Hard Maple)
- RWC101-L-OAK** (Red Oak)
- RWC101-L-CH** (Cherry)
- 9-1/8" H x 5-1/2" W x 1-1/8" Depth
- RWC101-XL** (Hard Maple)
- RWC101-XL-OAK** (Red Oak)
- RWC101-XL-CH** (Cherry)
- 12" H x 7" W x 1-3/8" Depth



- RWC010-S** (Hard Maple)
- RWC010-S-OAK** (Red Oak)
- RWC010-S-CH** (Cherry)
- 2-7/8" H x 1-1/8" W x 3/8" Depth
- RWC010-M** (Hard Maple)
- RWC010-M-OAK** (Red Oak)
- RWC010-M-CH** (Cherry)
- 3-7/8" H x 1-1/2" W x 1/2" Depth
- RWC010-L** (Hard Maple)
- RWC010-L-OAK** (Red Oak)
- RWC010-L-CH** (Cherry)
- 5" H x 1-7/8" W x 1/2" Depth



- RWC006-S** (Hard Maple)
- RWC006-S-OAK** (Red Oak)
- RWC006-S-CH** (Cherry)
- 3-1/4" H x 2-3/4" W x 5/8" Depth
- RWC006-M** (Hard Maple)
- RWC006-M-OAK** (Red Oak)
- RWC006-M-CH** (Cherry)
- 3-7/8" H x 3-3/8" W x 3/4" Depth
- RWC006-L** (Hard Maple)
- RWC006-L-OAK** (Red Oak)
- RWC006-L-CH** (Cherry)
- 5-3/8" H x 4-1/2" W x 1" Depth



- RWC005-S** (Hard Maple)
- RWC005-S-OAK** (Red Oak)
- RWC005-S-CH** (Cherry)
- RWC005-S-ALD** (Alder)
- 3-1/4" H x 2" W x 1/2" Depth
- RWC005-M** (Hard Maple)
- RWC005-M-OAK** (Red Oak)
- RWC005-M-CH** (Cherry)
- RWC005-M-ALD** (Alder)
- 5" H x 3" W x 5/8" Depth
- RWC005-L** (Hard Maple)
- RWC005-L-OAK** (Red Oak)
- RWC005-L-CH** (Cherry)
- RWC005-L-ALD** (Alder)
- 6-5/8" H x 3-7/8" W x 7/8" Depth

(Measurements are approximate)

# APPLIQUES

These ornaments are made of North American Hard Maple, Red Oak, Cherry & Alder.



**RWC107-M** (Hard Maple)  
**RWC107-M-OAK** (Red Oak)  
**RWC107-M-CH** (Cherry)  
**RWC107-M-ALD** (Alder)  
 9-7/8" H x 5-1/4" W x 5/8" Depth



• **RWC131-S** (Hard Maple)  
**RWC131-S-OAK** (Red Oak)  
**RWC131-S-CH** (Cherry)  
**RWC131-S-ALD** (Alder)  
 12" H x 1-1/2" W x 3/8" Depth  
**RWC131-L** (Hard Maple)  
**RWC131-L-OAK** (Red Oak)  
**RWC131-L-CH** (Cherry)  
**RWC131-L-ALD** (Alder)  
 17-1/4" H x 2" W x 3/8" Depth

*\*Supplied with pre-attached keyhole hangers.*



**Width Ranges:**

- 8"
- 12"
- 16"



**RWC22-S** (Hard Maple)  
**RWC22-S-OAK** (Red Oak)  
**RWC22-S-CH** (Cherry)  
 2-1/4" H x 8-1/4" W x 3/8" Depth

**RWC22-M** (Hard Maple)  
**RWC22-M-OAK** (Red Oak)  
**RWC22-M-CH** (Cherry)  
 3" H x 11-1/2" W x 1/2" Depth

**RWC22-L** (Hard Maple)  
**RWC22-L-OAK** (Red Oak)  
**RWC22-L-CH** (Cherry)  
 3-7/8" H x 16" W x 5/8" Depth



**RWC110-S** (Hard Maple)  
**RWC110-S-OAK** (Red Oak)  
**RWC110-S-CH** (Cherry)  
 2-3/4" H x 2-3/4" W x 5/8" Depth  
**RWC110-M** (Hard Maple)  
**RWC110-M-OAK** (Red Oak)  
**RWC110-M-CH** (Cherry)  
 3-3/4" H x 3-3/4" W x 3/4" Depth  
**RWC110-L** (Hard Maple)  
**RWC110-L-OAK** (Red Oak)  
**RWC110-L-CH** (Cherry)  
 4" H x 4" W x 1" Depth

**Width Ranges:**

- 12"
- 18"
- 24"



**RWC128-S** (Hard Maple)  
**RWC128-S-OAK** (Red Oak)  
**RWC128-S-CH** (Cherry)  
 2-1/8" H x 12" W x 1/2" Depth

**RWC128-M** (Hard Maple)  
**RWC128-M-OAK** (Red Oak)  
**RWC128-M-CH** (Cherry)  
 3-1/4" H x 18" W x 1/2" Depth

**RWC128-L** (Hard Maple)  
**RWC128-L-OAK** (Red Oak)  
**RWC128-L-CH** (Cherry)  
 4-1/4" H x 24" W x 5/8" Depth

(Measurements are approximate)



# CARTOUCHES

These ornaments are made of North American Hard Maple, Red Oak, Cherry & Alder.

**Width Ranges:**

18"  
24"  
31"



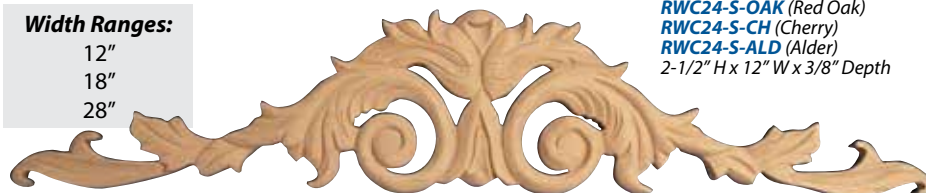
**RWC17-S** (Hard Maple)  
**RWC17-S-OAK** (Red Oak)  
**RWC17-S-CH** (Cherry)  
3-3/8" H x 18-1/4" W x 1/2" Depth

**RWC17-M** (Hard Maple)  
**RWC17-M-OAK** (Red Oak)  
**RWC17-M-CH** (Cherry)  
4-3/8" H x 23-7/8" W x 1/2" Depth

**RWC17-L** (Hard Maple)  
**RWC17-L-OAK** (Red Oak)  
**RWC17-L-CH** (Cherry)  
5-3/4" H x 31" W x 5/8" Depth

**Width Ranges:**

12"  
18"  
28"



**RWC24-S** (Hard Maple)  
**RWC24-S-OAK** (Red Oak)  
**RWC24-S-CH** (Cherry)  
**RWC24-S-ALD** (Alder)  
2-1/2" H x 12" W x 3/8" Depth

**RWC24-M** (Hard Maple)  
**RWC24-M-OAK** (Red Oak)  
**RWC24-M-CH** (Cherry)  
**RWC24-M-ALD** (Alder)  
3-3/4" H x 18-3/8" W x 1/2" Depth

**RWC24-L** (Hard Maple)  
**RWC24-L-OAK** (Red Oak)  
**RWC24-L-CH** (Cherry)  
**RWC24-L-ALD** (Alder)  
5-5/8" H x 27-1/2" W x 5/8" Depth

**Width Ranges:**

12"  
18"  
24"  
30"



**RWC19-S** (Hard Maple)  
**RWC19-S-OAK** (Red Oak)  
**RWC19-S-CH** (Cherry)  
**RWC19-S-ALD** (Alder)  
2-5/8" H x 12" W x 3/8" Depth

**RWC19-M** (Hard Maple)  
**RWC19-M-OAK** (Red Oak)  
**RWC19-M-CH** (Cherry)  
**RWC19-M-ALD** (Alder)  
3-7/8" H x 18-1/4" W x 1/2" Depth

**RWC19-L** (Hard Maple)  
**RWC19-L-OAK** (Red Oak)  
**RWC19-L-CH** (Cherry)  
**RWC19-L-ALD** (Alder)  
5-1/4" H x 24" W x 5/8" Depth

**RWC19-XL** (Hard Maple)  
**RWC19-XL-OAK** (Red Oak)  
**RWC19-XL-CH** (Cherry)  
**RWC19-XL-ALD** (Alder)  
6-1/2" H x 30" W x 3/4" Depth

**Width Ranges:**

9"  
12"  
16"  
20"



**RWC18-S** (Hard Maple)  
**RWC18-S-OAK** (Red Oak)  
**RWC18-S-CH** (Cherry)  
2-1/2" H x 9" W x 3/8" Depth

**RWC18-M** (Hard Maple)  
**RWC18-M-OAK** (Red Oak)  
**RWC18-M-CH** (Cherry)  
3-1/2" H x 11-7/8" W x 1/2" Depth

**RWC18-L** (Hard Maple)  
**RWC18-L-OAK** (Red Oak)  
**RWC18-L-CH** (Cherry)  
4-1/2" H x 15-7/8" W x 1/2" Depth

**RWC18-XL** (Hard Maple)  
**RWC18-XL-OAK** (Red Oak)  
**RWC18-XL-CH** (Cherry)  
5-7/8" H x 20-1/8" W x 5/8" Depth

**Width Ranges:**

6"  
11"  
16"



**RWC23-S** (Hard Maple)  
**RWC23-S-OAK** (Red Oak)  
**RWC23-S-CH** (Cherry)  
**RWC23-S-ALD** (Alder)  
2-3/4" H x 5-1/2" W x 3/8" Depth

**RWC23-M** (Hard Maple)  
**RWC23-M-OAK** (Red Oak)  
**RWC23-M-CH** (Cherry)  
**RWC23-M-ALD** (Alder)  
5-1/2" H x 10-7/8" W x 1/2" Depth

**RWC23-L** (Hard Maple)  
**RWC23-L-OAK** (Red Oak)  
**RWC23-L-CH** (Cherry)  
**RWC23-L-ALD** (Alder)  
8-1/8" H x 15-7/8" W x 5/8" Depth

(Measurements are approximate)

# CARTOUCHES

These ornaments are made of North American Hard Maple, Red Oak, Cherry & Alder.



**Width Ranges:**

- 18"
- 24"
- 30"



**RWC125-S** (Hard Maple)  
**RWC125-S-OAK** (Red Oak)  
**RWC125-S-CH** (Cherry)  
 3-5/8" H x 18" W x 3/4" Depth

**RWC125-M** (Hard Maple)  
**RWC125-M-OAK** (Red Oak)  
**RWC125-M-CH** (Cherry)  
 4-3/4" H x 24" W x 7/8" Depth

**RWC125-L** (Hard Maple)  
**RWC125-L-OAK** (Red Oak)  
**RWC125-L-CH** (Cherry)  
 6" H x 30" W x 1" Depth

**Width Ranges:**

- 22"
- 31"



**\*RWC92-S** (Hard Maple)  
**\*RWC92-S-OAK** (Red Oak)  
**\*RWC92-S-CH** (Cherry)  
 6-3/4" H x 21-1/2" W x 1-3/4" Depth

**\*RWC92-L** (Hard Maple)  
**\*RWC92-L-OAK** (Red Oak)  
**\*RWC92-L-CH** (Cherry)  
 9-7/8" H x 30-3/4" W x 2-1/2" Depth

**\*Supplied with pre-attached keyhole hangers.**



shown painted

**Width Ranges:**

- 12"
- 18"
- 24"
- 36"



**RWC20-S** (Hard Maple)  
**RWC20-S-OAK** (Red Oak)  
**RWC20-S-CH** (Cherry)  
 2-1/2" H x 12" W x 3/8" Depth

**RWC20-M** (Hard Maple)  
**RWC20-M-OAK** (Red Oak)  
**RWC20-M-CH** (Cherry)  
 3-3/4" H x 18-1/8" W x 1/2" Depth

**RWC20-L** (Hard Maple)  
**RWC20-L-OAK** (Red Oak)  
**RWC20-L-CH** (Cherry)  
 5" H x 24" W x 5/8" Depth

**RWC20-XL** (Hard Maple)  
**RWC20-XL-OAK** (Red Oak)  
**RWC20-XL-CH** (Cherry)  
 7-3/8" H x 36" W x 3/4" Depth

**Width Ranges:**

- 16"
- 24"



**RWC25-S** (Hard Maple)  
**RWC25-S-OAK** (Red Oak)  
**RWC25-S-CH** (Cherry)  
**RWC25-S-ALD** (Alder)  
 3-7/8" H x 16-1/8" W x 1/2" Depth

**RWC25-L** (Hard Maple)  
**RWC25-L-OAK** (Red Oak)  
**RWC25-L-CH** (Cherry)  
**RWC25-L-ALD** (Alder)  
 5-1/4" H x 24-3/8" W x 5/8" Depth

(Measurements are approximate)



# SCROLLS

SOLD AS A LEFT & RIGHT PAIR  
(dimensions are for one side only)

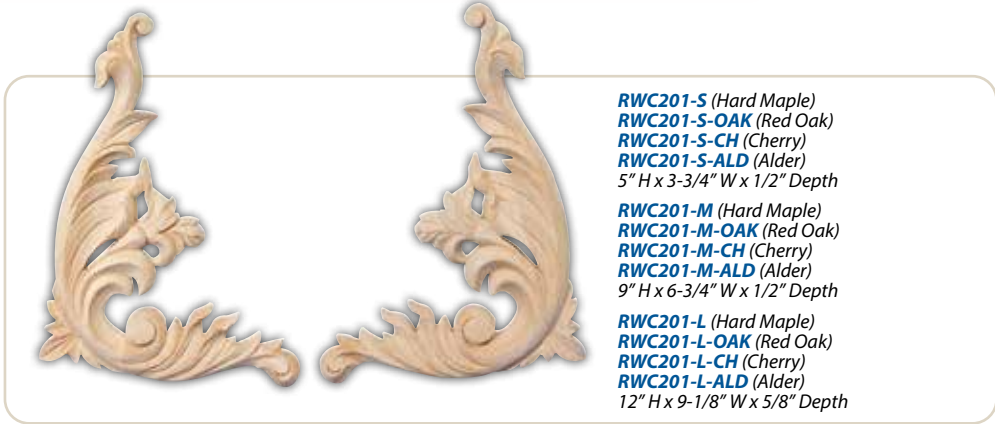
These ornaments are made of  
North American Hard Maple, Red Oak, Cherry & Alder.



**RWC32-S** (Hard Maple)  
**RWC32-S-OAK** (Red Oak)  
**RWC32-S-CH** (Cherry)  
**RWC32-S-ALD** (Alder)  
4-3/4" H x 9" W x 3/8" Depth

**RWC32-M** (Hard Maple)  
**RWC32-M-OAK** (Red Oak)  
**RWC32-M-CH** (Cherry)  
**RWC32-M-ALD** (Alder)  
5-7/8" H x 11-1/4" W x 1/2" Depth

**RWC32-L** (Hard Maple)  
**RWC32-L-OAK** (Red Oak)  
**RWC32-L-CH** (Cherry)  
**RWC32-L-ALD** (Alder)  
7-1/4" H x 14" W x 5/8" Depth



**RWC201-S** (Hard Maple)  
**RWC201-S-OAK** (Red Oak)  
**RWC201-S-CH** (Cherry)  
**RWC201-S-ALD** (Alder)  
5" H x 3-3/4" W x 1/2" Depth

**RWC201-M** (Hard Maple)  
**RWC201-M-OAK** (Red Oak)  
**RWC201-M-CH** (Cherry)  
**RWC201-M-ALD** (Alder)  
9" H x 6-3/4" W x 1/2" Depth

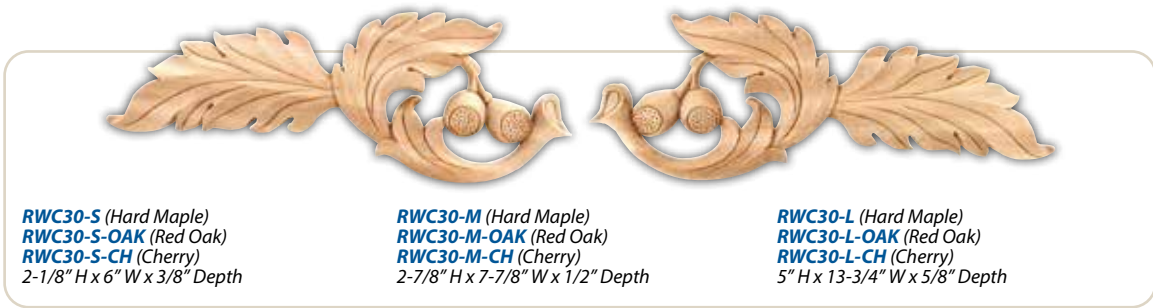
**RWC201-L** (Hard Maple)  
**RWC201-L-OAK** (Red Oak)  
**RWC201-L-CH** (Cherry)  
**RWC201-L-ALD** (Alder)  
12" H x 9-1/8" W x 5/8" Depth



**RWC33-S** (Hard Maple)  
**RWC33-S-OAK** (Red Oak)  
**RWC33-S-CH** (Cherry)  
2" H x 5" W x 3/8" Depth

**RWC33-M** (Hard Maple)  
**RWC33-M-OAK** (Red Oak)  
**RWC33-M-CH** (Cherry)  
2-3/4" H x 7" W x 1/2" Depth

**RWC33-L** (Hard Maple)  
**RWC33-L-OAK** (Red Oak)  
**RWC33-L-CH** (Cherry)  
4-3/4" H x 12" W x 1/2" Depth



**RWC30-S** (Hard Maple)  
**RWC30-S-OAK** (Red Oak)  
**RWC30-S-CH** (Cherry)  
2-1/8" H x 6" W x 3/8" Depth

**RWC30-M** (Hard Maple)  
**RWC30-M-OAK** (Red Oak)  
**RWC30-M-CH** (Cherry)  
2-7/8" H x 7-7/8" W x 1/2" Depth

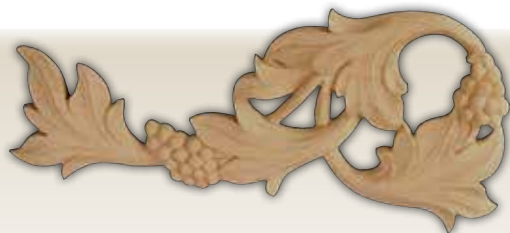
**RWC30-L** (Hard Maple)  
**RWC30-L-OAK** (Red Oak)  
**RWC30-L-CH** (Cherry)  
5" H x 13-3/4" W x 5/8" Depth

(Measurements are approximate)

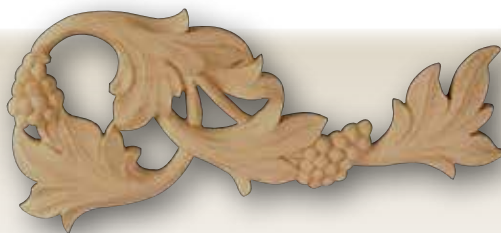
# SCROLLS

SOLD AS A LEFT & RIGHT PAIR  
(dimensions are for one side only)

These ornaments are made of  
North American Hard Maple, Red Oak, Cherry & Alder.



**RWC27-S** (Hard Maple)  
**RWC27-S-OAK** (Red Oak)  
**RWC27-S-CH** (Cherry)  
2-3/4" H x 6" W x 3/8" Depth



**RWC27-XL** (Hard Maple)  
**RWC27-XL-OAK** (Red Oak)  
**RWC27-XL-CH** (Cherry)  
7-1/8" H x 15" W x 3/4" Depth

**RWC27-M** (Hard Maple)  
**RWC27-M-OAK** (Red Oak)  
**RWC27-M-CH** (Cherry)  
4-1/8" H x 9" W x 1/2" Depth

**RWC27-L** (Hard Maple)  
**RWC27-L-OAK** (Red Oak)  
**RWC27-L-CH** (Cherry)  
5-5/8" H x 11-7/8" W x 5/8" Depth



**\*RWC28** (Hard Maple)  
**\*RWC28-OAK** (Red Oak)  
**\*RWC28-CH** (Cherry)  
7" H x 6-1/8" W x 1-1/8" Depth

**\*Supplied with pre-attached keyhole hangers.**



**RWC29-S** (Hard Maple)  
**RWC29-S-OAK** (Red Oak)  
**RWC29-S-CH** (Cherry)  
**RWC29-S-ALD** (Alder)  
4" H x 3-5/8" W x 1/2" Depth



**RWC29-L** (Hard Maple)  
**RWC29-L-OAK** (Red Oak)  
**RWC29-L-CH** (Cherry)  
**RWC29-L-ALD** (Alder)  
7-1/2" H x 6-7/8" W x 3/4" D

**RWC29-M** (Hard Maple)  
**RWC29-M-OAK** (Red Oak)  
**RWC29-M-CH** (Cherry)  
**RWC29-M-ALD** (Alder)  
5-3/8" H x 4-7/8" W x 5/8" Depth

**RWC29-XL** (Hard Maple)  
**RWC29-XL-OAK** (Red Oak)  
**RWC29-XL-CH** (Cherry)  
**RWC29-XL-ALD** (Alder)  
10-3/4" H x 9-5/8" W x 7/8" D

(Measurements are approximate)



# SCROLLS

SOLD AS A LEFT & RIGHT PAIR  
(dimensions are for one side only)



- RWC91-S** (Hard Maple)
- RWC91-S-OAK** (Red Oak)
- RWC91-S-CH** (Cherry)
- 11-3/8" H x 4-3/8" W x 1/2" Depth
- RWC91-M** (Hard Maple)
- RWC91-M-OAK** (Red Oak)
- RWC91-M-CH** (Cherry)
- 15-5/8" H x 6" W x 5/8" Depth
- RWC91-L** (Hard Maple)
- RWC91-L-OAK** (Red Oak)
- RWC91-L-CH** (Cherry)
- 20-3/8" H x 7-7/8" W x 1" Depth

These ornaments are made of  
North American Hard Maple, Red Oak, Cherry & Alder.



- |   |  |
|---|--|
| <ul style="list-style-type: none"> <li><b>RWC26-S</b> (Hard Maple)</li> <li><b>RWC26-S-OAK</b> (Red Oak)</li> <li><b>RWC26-S-CH</b> (Cherry)</li> <li>2-3/8" H x 6" W x 3/8" Depth</li> <li><b>RWC26-L</b> (Hard Maple)</li> <li><b>RWC26-L-OAK</b> (Red Oak)</li> <li><b>RWC26-L-CH</b> (Cherry)</li> <li>4-3/4" H x 11-7/8" W x 5/8" Depth</li> </ul> | <ul style="list-style-type: none"> <li><b>RWC26-M</b> (Hard Maple)</li> <li><b>RWC26-M-OAK</b> (Red Oak)</li> <li><b>RWC26-M-CH</b> (Cherry)</li> <li>3-1/2" H x 9" W x 1/2" Depth</li> <li><b>RWC26-XL</b> (Hard Maple)</li> <li><b>RWC26-XL-OAK</b> (Red Oak)</li> <li><b>RWC26-XL-CH</b> (Cherry)</li> <li>6-3/8" H x 15" W x 3/4" Depth</li> </ul> |
|---|--|



- |   |   |  |
|---|---|--|
| <ul style="list-style-type: none"> <li><b>RWC204-S</b> (Hard Maple)</li> <li><b>RWC204-S-OAK</b> (Red Oak)</li> <li><b>RWC204-S-CH</b> (Cherry)</li> <li><b>RWC204-S-ALD</b> (Alder)</li> <li>2-1/2" H x 5-1/2" W x 3/8" Depth</li> </ul> | <ul style="list-style-type: none"> <li><b>RWC204-M</b> (Hard Maple)</li> <li><b>RWC204-M-OAK</b> (Red Oak)</li> <li><b>RWC204-M-CH</b> (Cherry)</li> <li><b>RWC204-M-ALD</b> (Alder)</li> <li>3-7/8" H x 9-1/8" W x 1/2" Depth</li> </ul> | <ul style="list-style-type: none"> <li><b>RWC204-L</b> (Hard Maple)</li> <li><b>RWC204-L-OAK</b> (Red Oak)</li> <li><b>RWC204-L-CH</b> (Cherry)</li> <li><b>RWC204-L-ALD</b> (Alder)</li> <li>5-1/4" H x 12" W x 1/2" Depth</li> </ul> |
|---|---|--|

(Measurements are approximate)

# PLAIN CORBELS & BRACKETS

These ornaments are made of North American Hard Maple, Red Oak, Cherry, & Alder.



**New!**

- ^RWC801-S (Hard Maple)
- ^RWC801-S-ALD (Alder)
- 5" H x 3" W x 2-1/2" Depth
- ^RWC801-M (Hard Maple)
- ^RWC801-M-ALD (Alder)
- 10" H x 3" W x 6-1/2" Depth
- ^RWC801-L (Hard Maple)
- ^RWC801-L-ALD (Alder)
- 12" H x 3" W x 6-1/2" Depth

**New!**

- ^RWC805-L (Hard Maple)
- ^RWC805-L-ALD (Alder)
- 8" H x 2" W x 6" Depth

**New!**

- ^RWC810-M (Hard Maple)
- ^RWC810-M-ALD (Alder)
- 8" H x 5" W x 6" Depth
- ^RWC810-L (Hard Maple)
- ^RWC810-L-ALD (Alder)
- 10" H x 5" W x 6" Depth

^ Comes with routed keyholes

**New!**

- ^RWC815-S (Hard Maple)
- ^RWC815-S-ALD (Alder)
- 7" H x 1-3/4" W x 5" Depth
- ^RWC815-M (Hard Maple)
- ^RWC815-M-ALD (Alder)
- 9-1/2" H x 1-3/4" W x 7-1/2" Depth
- ^RWC815-L (Hard Maple)
- ^RWC815-L-ALD (Alder)
- 11" H x 1-3/4" W x 8-1/2" Depth

**New!**

- ^RWC820-S (Hard Maple)
- ^RWC820-S-ALD (Alder)
- 4" H x 3" W x 2-1/2" Depth
- ^RWC820-M (Hard Maple)
- ^RWC820-M-ALD (Alder)
- 18" H x 3" W x 6" Depth
- ^RWC820-L (Hard Maple)
- ^RWC820-L-ALD (Alder)
- 9" H x 3" W x 8" Depth

(Measurements are approximate)



# PLAIN CORBELS & BRACKETS

These ornaments are made of North American Hard Maple, Red Oak, Cherry, & Alder.



**New!**

- ^RWC825-M (Hard Maple)
- ^RWC825-M-ALD (Alder)
- 7" H x 1-1/4" W x 7" Depth
- ^RWC825-L (Hard Maple)
- ^RWC825-L-ALD (Alder)
- 10" H x 1-1/2" W x 10" Depth



**New!**

- ^RWC830-S (Hard Maple)
- ^RWC830-S-ALD (Alder)
- 10" H x 4" W x 5" Depth
- ^RWC830-M (Hard Maple)
- ^RWC830-M-ALD (Alder)
- 14" H x 5" W x 7" Depth
- ^RWC830-L (Hard Maple)
- ^RWC830-L-ALD (Alder)
- 22" H x 7" W x 12" Depth



**New!**

- ^RWC835-M (Hard Maple)
- ^RWC835-M-ALD (Alder)
- 12" H x 3" W x 6-1/2" Depth

^ Comes with routed keyholes



- \*RWC900-S (Hard Maple)
- \*RWC900-S-OAK (Red Oak)
- \*RWC900-S-CH (Cherry)
- \*RWC900-S-ALD (Alder)
- 10" H x 1-7/8" W x 7" Depth
- \*RWC900-M (Hard Maple)
- \*RWC900-M-OAK (Red Oak)
- \*RWC900-M-CH (Cherry)
- \*RWC900-M-ALD (Alder)
- 12" H x 2-1/2" W x 8" Depth
- \*RWC900-L (Hard Maple)
- \*RWC900-L-OAK (Red Oak)
- \*RWC900-L-CH (Cherry)
- \*RWC900-L-ALD (Alder)
- 14" H x 3" W x 9" Depth

\*Supplied with pre-attached keyhole hangers.



- \*RWC905-S (Hard Maple)
- \*RWC905-S-OAK (Red Oak)
- \*RWC905-S-CH (Cherry)
- \*RWC905-S-ALD (Alder)
- 10" H x 1-7/8" W x 7" Depth
- \*RWC905-M (Hard Maple)
- \*RWC905-M-OAK (Red Oak)
- \*RWC905-M-CH (Cherry)
- \*RWC905-M-ALD (Alder)
- 12" H x 2-1/2" W x 8" Depth
- \*RWC905-L (Hard Maple)
- \*RWC905-L-OAK (Red Oak)
- \*RWC905-L-CH (Cherry)
- \*RWC905-L-ALD (Alder)
- 14" H x 3" W x 9" Depth

- \*RWC910-S (Hard Maple)
- \*RWC910-S-OAK (Red Oak)
- \*RWC910-S-CH (Cherry)
- \*RWC910-S-ALD (Alder)
- 10" H x 1-7/8" W x 7" Depth
- \*RWC910-M (Hard Maple)
- \*RWC910-M-OAK (Red Oak)
- \*RWC910-M-CH (Cherry)
- \*RWC910-M-ALD (Alder)
- 12" H x 2-1/2" W x 8" Depth
- \*RWC910-L (Hard Maple)
- \*RWC910-L-OAK (Red Oak)
- \*RWC910-L-CH (Cherry)
- \*RWC910-L-ALD (Alder)
- 14" H x 3" W x 9" Depth



(Measurements are approximate)

# PLAIN CORBELS & BRACKETS

These ornaments are made of  
North American Hard Maple, Red Oak, Cherry, & Alder.

- \*RWC915-S (Hard Maple)
- \*RWC915-S-OAK (Red Oak)
- \*RWC915-S-CH (Cherry)
- \*RWC915-S-ALD (Alder)
- 10" H x 1-7/8" W x 7" Depth
- \*RWC915-M (Hard Maple)
- \*RWC915-M-OAK (Red Oak)
- \*RWC915-M-CH (Cherry)
- \*RWC915-M-ALD (Alder)
- 12" H x 2-1/2" W x 8" Depth
- \*RWC915-L (Hard Maple)
- \*RWC915-L-OAK (Red Oak)
- \*RWC915-L-CH (Cherry)
- \*RWC915-L-ALD (Alder)
- 14" H x 3" W x 9" Depth



- \*RWC920-S (Hard Maple)
- \*RWC920-S-OAK (Red Oak)
- \*RWC920-S-CH (Cherry)
- \*RWC920-S-ALD (Alder)
- 10" H x 2-1/8" W x 7" Depth
- \*RWC920-M (Hard Maple)
- \*RWC920-M-OAK (Red Oak)
- \*RWC920-M-CH (Cherry)
- \*RWC920-M-ALD (Alder)
- 12" H x 2-1/2" W x 8" Depth
- \*RWC920-L (Hard Maple)
- \*RWC920-L-OAK (Red Oak)
- \*RWC920-L-CH (Cherry)
- \*RWC920-L-ALD (Alder)
- 14" H x 3-1/4" W x 9" Depth



\*Supplied with  
pre-attached  
keyhole hangers.



- \*RWC925-S (Hard Maple)
- \*RWC925-S-OAK (Red Oak)
- \*RWC925-S-CH (Cherry)
- \*RWC925-S-ALD (Alder)
- 10" H x 2-1/2" W x 7" Depth
- \*RWC925-M (Hard Maple)
- \*RWC925-M-OAK (Red Oak)
- \*RWC925-M-CH (Cherry)
- \*RWC925-M-ALD (Alder)
- 12" H x 3" W x 8" Depth
- \*RWC925-L (Hard Maple)
- \*RWC925-L-OAK (Red Oak)
- \*RWC925-L-CH (Cherry)
- \*RWC925-L-ALD (Alder)
- 14" H x 3-7/8" W x 9" Depth



- \*RWC930-S (Hard Maple)
- \*RWC930-S-OAK (Red Oak)
- \*RWC930-S-CH (Cherry)
- \*RWC930-S-ALD (Alder)
- 10" H x 2-1/2" W x 7" Depth
- \*RWC930-M (Hard Maple)
- \*RWC930-M-OAK (Red Oak)
- \*RWC930-M-CH (Cherry)
- \*RWC930-M-ALD (Alder)
- 12" H x 3" W x 8" Depth
- \*RWC930-L (Hard Maple)
- \*RWC930-L-OAK (Red Oak)
- \*RWC930-L-CH (Cherry)
- \*RWC930-L-ALD (Alder)
- 14" H x 3-5/8" W x 9" Depth



- \*RWC935-S (Hard Maple)
- \*RWC935-S-OAK (Red Oak)
- \*RWC935-S-CH (Cherry)
- \*RWC935-S-ALD (Alder)
- 10" H x 2-3/8" W x 7" Depth
- \*RWC935-M (Hard Maple)
- \*RWC935-M-OAK (Red Oak)
- \*RWC935-M-CH (Cherry)
- \*RWC935-M-ALD (Alder)
- 12" H x 2-5/8" W x 8" Depth
- \*RWC935-L (Hard Maple)
- \*RWC935-L-OAK (Red Oak)
- \*RWC935-L-CH (Cherry)
- \*RWC935-L-ALD (Alder)
- 14" H x 3-1/4" W x 9" Depth



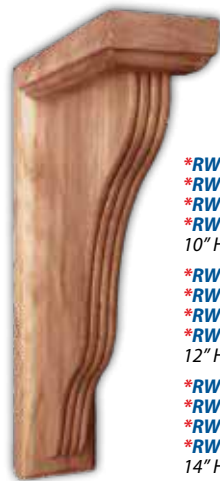
(Measurements are approximate)

# PLAIN CORBELS & BRACKETS

These ornaments are made of North American Hard Maple, Red Oak, Cherry, & Alder.



- \*RWC940-S (Hard Maple)
- \*RWC940-S-OAK (Red Oak)
- \*RWC940-S-CH (Cherry)
- \*RWC940-S-ALD (Alder)
- 10" H x 1-7/8" W x 7" Depth
- \*RWC940-M (Hard Maple)
- \*RWC940-M-OAK (Red Oak)
- \*RWC940-M-CH (Cherry)
- \*RWC940-M-ALD (Alder)
- 12" H x 2-1/2" W x 8" Depth
- \*RWC940-L (Hard Maple)
- \*RWC940-L-OAK (Red Oak)
- \*RWC940-L-CH (Cherry)
- \*RWC940-L-ALD (Alder)
- 14" H x 3" W x 9" Depth



- \*RWC945-S (Hard Maple)
- \*RWC945-S-OAK (Red Oak)
- \*RWC945-S-CH (Cherry)
- \*RWC945-S-ALD (Alder)
- 10" H x 2" W x 7" Depth
- \*RWC945-M (Hard Maple)
- \*RWC945-M-OAK (Red Oak)
- \*RWC945-M-CH (Cherry)
- \*RWC945-M-ALD (Alder)
- 12" H x 2-1/2" W x 8" Depth
- \*RWC945-L (Hard Maple)
- \*RWC945-L-OAK (Red Oak)
- \*RWC945-L-CH (Cherry)
- \*RWC945-L-ALD (Alder)
- 14" H x 3" W x 9" Depth

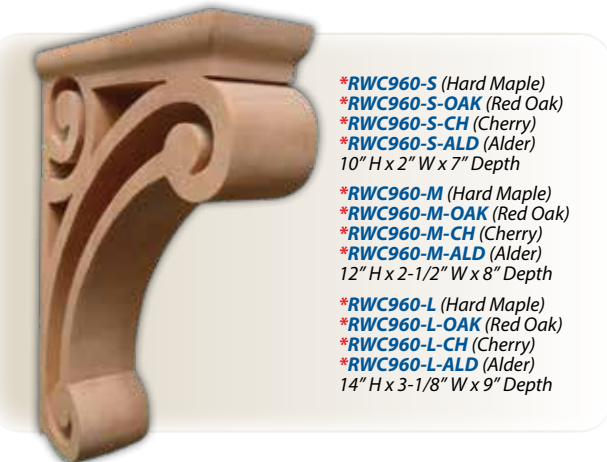
\*Supplied with pre-attached keyhole hangers.



- \*RWC950-S-OAK (Red Oak)
- \*RWC950-S-CH (Cherry)
- \*RWC950-S-ALD (Alder)
- 10" H x 2" W x 7" Depth
- \*RWC950-M (Hard Maple)
- \*RWC950-M-OAK (Red Oak)
- \*RWC950-M-CH (Cherry)
- \*RWC950-M-ALD (Alder)
- 12" H x 2-1/2" W x 8" Depth
- \*RWC950-L (Hard Maple)
- \*RWC950-L-OAK (Red Oak)
- \*RWC950-L-CH (Cherry)
- \*RWC950-L-ALD (Alder)
- 14" H x 3" W x 9" Depth



- \*RWC955-S (Hard Maple)
- \*RWC955-S-OAK (Red Oak)
- \*RWC955-S-CH (Cherry)
- \*RWC955-S-ALD (Alder)
- 10" H x 1-7/8" W x 7" Depth
- \*RWC955-M (Hard Maple)
- \*RWC955-M-OAK (Red Oak)
- \*RWC955-M-CH (Cherry)
- \*RWC955-M-ALD (Alder)
- 12" H x 2-1/2" W x 8" Depth
- \*RWC955-L (Hard Maple)
- \*RWC955-L-OAK (Red Oak)
- \*RWC955-L-CH (Cherry)
- \*RWC955-L-ALD (Alder)
- 14" H x 3" W x 9" Depth



- \*RWC960-S (Hard Maple)
- \*RWC960-S-OAK (Red Oak)
- \*RWC960-S-CH (Cherry)
- \*RWC960-S-ALD (Alder)
- 10" H x 2" W x 7" Depth
- \*RWC960-M (Hard Maple)
- \*RWC960-M-OAK (Red Oak)
- \*RWC960-M-CH (Cherry)
- \*RWC960-M-ALD (Alder)
- 12" H x 2-1/2" W x 8" Depth
- \*RWC960-L (Hard Maple)
- \*RWC960-L-OAK (Red Oak)
- \*RWC960-L-CH (Cherry)
- \*RWC960-L-ALD (Alder)
- 14" H x 3-1/8" W x 9" Depth

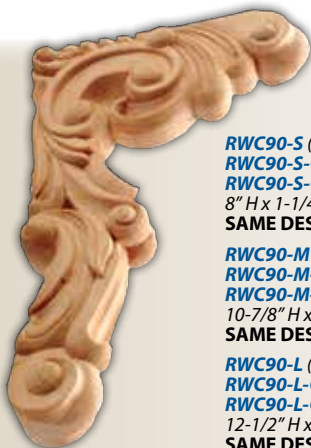


(Measurements are approximate)



# BRACKETS & CORBELS

These ornaments are made of  
North American Hard Maple, Red Oak, Cherry & Alder.



**RWC90-S** (Hard Maple)  
**RWC90-S-OAK** (Red Oak)  
**RWC90-S-CH** (Cherry)  
 8" H x 1-1/4" W x 4-3/4" Depth  
**SAME DESIGN ON BOTH SIDES**

**RWC90-M** (Hard Maple)  
**RWC90-M-OAK** (Red Oak)  
**RWC90-M-CH** (Cherry)  
 10-7/8" H x 1-1/2" W x 6-3/8" Depth  
**SAME DESIGN ON BOTH SIDES**

**RWC90-L** (Hard Maple)  
**RWC90-L-OAK** (Red Oak)  
**RWC90-L-CH** (Cherry)  
 12-1/2" H x 1-7/8" W x 7-1/2" Depth  
**SAME DESIGN ON BOTH SIDES**



**RWC58-S** (Hard Maple)  
**RWC58-S-OAK** (Red Oak)  
**RWC58-S-CH** (Cherry)  
 7-1/2" H x 1-5/8" W x 4-5/8" Depth

**RWC58-M** (Hard Maple)  
**RWC58-M-OAK** (Red Oak)  
**RWC58-M-CH** (Cherry)  
 10-3/4" H x 2" W x 6-1/2" Depth

**RWC58-L** (Hard Maple)  
**RWC58-L-OAK** (Red Oak)  
**RWC58-L-CH** (Cherry)  
 12-3/8" H x 2-1/2" W x 7-1/2" Depth

**\*Supplied with  
pre-attached  
keyhole hangers.**



**\*RWC328-S** (Hard Maple)  
**\*RWC328-S-OAK** (Red Oak)  
**\*RWC328-S-CH** (Cherry)  
**\*RWC328-S-ALD** (Alder)  
 8" H x 3-5/8" W x 2-1/2" Depth

**\*RWC328-M** (Hard Maple)  
**\*RWC328-M-OAK** (Red Oak)  
**\*RWC328-M-CH** (Cherry)  
**\*RWC328-M-ALD** (Alder)  
 10-1/2" H x 5" W x 3-1/4" Depth

**\*RWC328-L** (Hard Maple)  
**\*RWC328-L-OAK** (Red Oak)  
**\*RWC328-L-CH** (Cherry)  
**\*RWC328-L-ALD** (Alder)  
 13" H x 5-7/8" W x 3-1/4" Depth

**\*RWC52-S** (Hard Maple)  
**\*RWC52-S-OAK** (Red Oak)  
**\*RWC52-S-CH** (Cherry)  
 6" H x 1-3/4" W x 4-1/2" Depth

**\*RWC52-M** (Hard Maple)  
**\*RWC52-M-OAK** (Red Oak)  
**\*RWC52-M-CH** (Cherry)  
 9" H x 2" W x 6-3/4" Depth

**\*RWC52-L** (Hard Maple)  
**\*RWC52-L-OAK** (Red Oak)  
**\*RWC52-L-CH** (Cherry)  
 10-3/4" H x 2-1/2" W x 8-1/8" Depth



(Measurements are approximate)

# CORBELS

These ornaments are made of North American Hard Maple, Red Oak, Cherry & Alder.



- \*RWC318-XS (Hard Maple)
- \*RWC318-XS-OAK (Red Oak)
- \*RWC318-XS-CH (Cherry)
- \*RWC318-XS-ALD (Alder)
- 5" H x 2-7/8" W x 2-7/8" Depth
- \*RWC318-S (Hard Maple)
- \*RWC318-S-OAK (Red Oak)
- \*RWC318-S-CH (Cherry)
- \*RWC318-S-ALD (Alder)
- 8" H x 3-7/8" W x 3-7/8" Depth
- \*RWC318-M (Hard Maple)
- \*RWC318-M-OAK (Red Oak)
- \*RWC318-M-CH (Cherry)
- \*RWC318-M-ALD (Alder)
- 10-1/2" H x 4-7/8" W x 4-7/8" Depth
- \*RWC318-L (Hard Maple)
- \*RWC318-L-OAK (Red Oak)
- \*RWC318-L-CH (Cherry)
- \*RWC318-L-ALD (Alder)
- 13" H x 5-1/4" W x 5-1/4" Depth
- \*RWC318-XL (Hard Maple)
- \*RWC318-XL-OAK (Red Oak)
- \*RWC318-XL-CH (Cherry)
- \*RWC318-XL-ALD (Alder)
- 15" H x 6" W x 6" Depth



- \*RWC322-S (Hard Maple)
- \*RWC322-S-OAK (Red Oak)
- \*RWC322-S-CH (Cherry)
- \*RWC322-S-ALD (Alder)
- 8" H x 2-1/2" W x 5-1/4" Depth
- \*RWC322-M (Hard Maple)
- \*RWC322-M-OAK (Red Oak)
- \*RWC322-M-CH (Cherry)
- \*RWC322-M-ALD (Alder)
- 11" H x 3-1/2" W x 7-1/4" Depth
- \*RWC322-L (Hard Maple)
- \*RWC322-L-OAK (Red Oak)
- \*RWC322-L-CH (Cherry)
- \*RWC322-L-ALD (Alder)
- 13" H x 4" W x 8-1/2" Depth

**\*Supplied with pre-attached keyhole hangers.**

- \*RWC319-S (Hard Maple)
- \*RWC319-S-OAK (Red Oak)
- \*RWC319-S-CH (Cherry)
- \*RWC319-S-ALD (Alder)
- 8" H x 3-5/8" W x 2-3/8" Depth
- \*RWC319-M (Hard Maple)
- \*RWC319-M-OAK (Red Oak)
- \*RWC319-M-CH (Cherry)
- \*RWC319-M-ALD (Alder)
- 10-1/2" H x 5" W x 3-1/4" Depth
- \*RWC319-L (Hard Maple)
- \*RWC319-L-OAK (Red Oak)
- \*RWC319-L-CH (Cherry)
- \*RWC319-L-ALD (Alder)
- 13" H x 5-1/2" W x 3-3/4" Depth



- \*RWC325-S (Hard Maple)
- \*RWC325-S-OAK (Red Oak)
- \*RWC325-S-ALD (Alder)
- 11" H x 3-1/2" W x 7-1/4" Depth
- \*RWC325-L (Hard Maple)
- \*RWC325-L-OAK (Red Oak)
- \*RWC325-L-CH (Cherry)
- 13" H x 4" W x 8-1/2" Depth



- \*RWC320-S (Hard Maple)
- \*RWC320-S-OAK (Red Oak)
- \*RWC320-S-CH (Cherry)
- \*RWC320-S-ALD (Alder)
- 8" H x 2-1/2" W x 5-1/4" Depth
- \*RWC320-M (Hard Maple)
- \*RWC320-M-OAK (Red Oak)
- \*RWC320-M-CH (Cherry)
- \*RWC320-M-ALD (Alder)
- 11" H x 3-1/2" W x 7-1/4" Depth
- \*RWC320-L (Hard Maple)
- \*RWC320-L-OAK (Red Oak)
- \*RWC320-L-CH (Cherry)
- \*RWC320-L-ALD (Alder)
- 13" H x 4" W x 9" Depth



- RWC346-S (Hard Maple)
- RWC346-S-OAK (Red Oak)
- RWC346-S-CH (Cherry)
- 13" H x 4-1/8" W x 3-3/4" Depth

- RWC346-M (Hard Maple)
- RWC346-M-OAK (Red Oak)
- RWC346-M-CH (Cherry)
- 20" H x 5-1/2" W x 5-7/8" Depth

- RWC346-L (Hard Maple)
- RWC346-L-OAK (Red Oak)
- RWC346-L-CH (Cherry)
- 26-1/2" H x 6-3/8" W x 7-3/4" Depth

(Measurements are approximate)

# CORBELS

These ornaments are made of North American Hard Maple, Red Oak, Cherry & Alder.



- \*RWC39-S (Hard Maple)
- \*RWC39-S-OAK (Red Oak)
- \*RWC39-S-CH (Cherry)
- \*RWC39-S-ALD (Alder)
- 8-1/4" H x 3-3/4" W x 2-5/8" Depth
- \*RWC39-M (Hard Maple)
- \*RWC39-M-OAK (Red Oak)
- \*RWC39-M-CH (Cherry)
- \*RWC39-M-ALD (Alder)
- 10-1/2" H x 4-7/8" W x 3-1/2" Depth
- \*RWC39-L (Hard Maple)
- \*RWC39-L-OAK (Red Oak)
- \*RWC39-L-CH (Cherry)
- \*RWC39-L-ALD (Alder)
- 13" H x 5-3/8" W x 4-1/2" Depth

**\*Supplied with pre-attached keyhole hangers.**



- \*RWC37-XS (Hard Maple)
- \*RWC37-XS-OAK (Red Oak)
- \*RWC37-XS-CH (Cherry)
- \*RWC37-XS-ALD (Alder)
- 4-3/4" H x 2-7/8" W x 2-5/8" Depth
- \*RWC37-S (Hard Maple)
- \*RWC37-S-OAK (Red Oak)
- \*RWC37-S-CH (Cherry)
- \*RWC37-S-ALD (Alder)
- 7-1/8" H x 3-5/8" W x 3-5/8" Depth
- \*RWC37-M (Hard Maple)
- \*RWC37-M-OAK (Red Oak)
- \*RWC37-M-CH (Cherry)
- \*RWC37-M-ALD (Alder)
- 10-1/2" H x 4-7/8" W x 5-1/4" Depth
- \*RWC37-L (Hard Maple)
- \*RWC37-L-OAK (Red Oak)
- \*RWC37-L-CH (Cherry)
- \*RWC37-L-ALD (Alder)
- 12-1/2" H x 5-3/8" W x 5-5/8" Depth
- RWC37-XL (Hard Maple)
- \*RWC37-XL-OAK (Red Oak)
- \*RWC37-XL-CH (Cherry)
- \*RWC37-XL-ALD (Alder)
- 14-1/2" H x 5-3/4" W x 6-5/8" Depth
- \*RWC37-XXL (Hard Maple)
- \*RWC37-XXL-OAK (Red Oak)
- \*RWC37-XXL-CH (Cherry)
- \*RWC37-XXL-ALD (Alder)
- 26-1/2" H x 8-1/4" W x 8-3/4" Depth
- \*RWC37-XXXL (Hard Maple)
- \*RWC37-XXXL-OAK (Red Oak)
- \*RWC37-XXXL-CH (Cherry)
- \*RWC37-XXXL-ALD (Alder)
- 36" H x 10" W x 11-3/8" Depth



- \*RWC37-BASE36 (Hard Maple)
- \*RWC37-BASE36-OAK (Red Oak)
- \*RWC37-BASE36-CH (Cherry)
- \*RWC37-BASE36-ALD (Alder)
- 36" H x 7" W x 7-1/2" Depth
- \*RWC37-BASE42 (Hard Maple)
- \*RWC37-BASE42-OAK (Red Oak)
- \*RWC37-BASE42-CH (Cherry)
- \*RWC37-BASE42-ALD (Alder)
- 42" H x 7-1/2" W x 8" Depth

(Measurements are approximate)



# CORBELS

These ornaments are made of North American Hard Maple, Red Oak, Cherry & Alder.

- \*RWC54-S (Hard Maple)
- \*RWC54-S-OAK (Red Oak)
- \*RWC54-S-CH (Cherry)
- \*RWC54-S-ALD (Alder)
- 10-1/2" H x 3-3/8" W x 6-1/2" Depth
- \*RWC54-L (Hard Maple)
- \*RWC54-L-OAK (Red Oak)
- \*RWC54-L-CH (Cherry)
- \*RWC54-L-ALD (Alder)
- 13-1/4" H x 3-7/8" x 8-1/4" Depth



- \*RWC57-S (Hard Maple)
- \*RWC57-S-OAK (Red Oak)
- \*RWC57-S-CH (Cherry)
- \*RWC57-S-ALD (Alder)
- 8" H x 2" W x 4-3/4" Depth
- \*RWC57-M (Hard Maple)
- \*RWC57-M-OAK (Red Oak)
- \*RWC57-M-CH (Cherry)
- \*RWC57-M-ALD (Alder)
- 10-13/16" H x 2-1/8" W x 6-11/16" Depth
- \*RWC57-L (Hard Maple)
- \*RWC57-L-OAK (Red Oak)
- \*RWC57-L-CH (Cherry)
- \*RWC57-L-ALD (Alder)
- 12-3/8" H x 2-7/8" W x 7-3/8" Depth



- \*RWC307-XS (Hard Maple)
- \*RWC307-XS-OAK (Red Oak)
- \*RWC307-XS-CH (Cherry)
- 5" H x 2-3/4" W x 2-3/8" Depth
- \*RWC307-S (Hard Maple)
- \*RWC307-S-OAK (Red Oak)
- \*RWC307-S-CH (Cherry)
- 7-1/4" H x 3-1/2" W x 3-3/8" Depth
- \*RWC307-L (Hard Maple)
- \*RWC307-L-OAK (Red Oak)
- \*RWC307-L-CH (Cherry)
- 12-1/2" H x 5-1/4" W x 5-3/8" Depth
- \*RWC307-XL (Hard Maple)
- \*RWC307-XL-OAK (Red Oak)
- \*RWC307-XL-CH (Cherry)
- 14-1/2" H x 6" W x 6-1/8" Depth



- \*RWC313-S (Hard Maple)
- \*RWC313-S-OAK (Red Oak)
- \*RWC313-S-CH (Cherry)
- 11" H x 3-1/2" W x 6-3/4" Depth
- \*RWC313-L (Hard Maple)
- \*RWC313-L-OAK (Red Oak)
- \*RWC313-L-CH (Cherry)
- 13-1/4" H x 4" W x 8-1/4" Depth

\*Supplied with pre-attached keyhole hangers.

- \*RWC316-M (Hard Maple)
- \*RWC316-M-OAK (Red Oak)
- \*RWC316-M-CH (Cherry)
- 11" H x 3-1/2" W x 6-3/4" Depth
- \*RWC316-L-OAK (Red Oak)
- \*RWC316-L-CH (Cherry)
- 13-1/4" H x 4" W x 8-1/4" Depth



- \*RWC310-M (Hard Maple)
- \*RWC310-M-OAK (Red Oak)
- \*RWC310-M-CH (Cherry)
- 10-1/2" H x 4-7/8" W x 3-1/4" Depth



(Measurements are approximate)

# CORBELS

These ornaments are made of North American Hard Maple, Red Oak, Cherry & Alder.



- \*RWC40-XS (Hard Maple)
- \*RWC40-XS-OAK (Red Oak)
- \*RWC40-XS-CH (Cherry)
- 6-7/8" H x 3-1/8" W x 3-1/2" Depth
- \*RWC40-S (Hard Maple)
- \*RWC40-S-OAK (Red Oak)
- \*RWC40-S-CH (Cherry)
- 10-1/4" H x 5-1/8" W x 4-7/8" Depth
- \*RWC40-M (Hard Maple)
- \*RWC40-M-OAK (Red Oak)
- \*RWC40-M-CH (Cherry)
- 12-3/8" H x 5" W x 5-3/8" Depth
- \*RWC40-L (Hard Maple)
- \*RWC40-L-OAK (Red Oak)
- \*RWC40-L-CH (Cherry)
- 14-1/4" H x 5-1/8" W x 5-1/2" Depth



- \*RWC07-S (Hard Maple)
- \*RWC07-S-OAK (Red Oak)
- \*RWC07-S-CH (Cherry)
- 8 H x 3-7/8" W x 2-3/4" Depth
- \*RWC07-M (Hard Maple)
- \*RWC07-M-OAK (Red Oak)
- \*RWC07-M-CH (Cherry)
- \*RWC07-M-ALD (Alder)
- 10-1/8" H x 5" W x 3-1/2" Depth
- \*RWC07-L (Hard Maple)
- \*RWC07-L-OAK (Red Oak)
- \*RWC07-L-CH (Cherry)
- 12-5/8" H x 6-3/8" W x 4-1/2" Depth

- \*RWC40-XL (Hard Maple)
- \*RWC40-XL-OAK (Red Oak)
- \*RWC40-XL-CH (Cherry)
- 26-1/2" H x 7-3/8" W x 8-1/2" Depth



- \*RWC56-S-OAK (Red Oak)
- \*RWC56-S-CH (Cherry)
- 10-1/2" H x 3-1/4" W x 6-3/4" Depth
- \*RWC56-L (Hard Maple)
- \*RWC56-L-CH (Cherry)
- 13-1/4" H x 3-3/4" W x 8-3/8" Depth



**\*Supplied with pre-attached keyhole hangers.**



- \*RWC55-S (Hard Maple)
- \*RWC55-S-OAK (Red Oak)
- \*RWC55-S-CH (Cherry)
- 7-1/2" H x 1-3/4" W x 4-1/2" Depth
- \*RWC55-M (Hard Maple)
- \*RWC55-M-OAK (Red Oak)
- \*RWC55-M-CH (Cherry)
- 10-5/8" H x 2-1/8" W x 6-3/4" Depth
- \*RWC55-L (Hard Maple)
- \*RWC55-L-OAK (Red Oak)
- \*RWC55-L-CH (Cherry)
- 12-3/8" H x 2-1/2" W x 7-5/8" Depth

(Measurements are approximate)

# CORBELS

These ornaments are made of North American Hard Maple, Red Oak, Cherry & Alder.



- \*RWC47-XS-OAK (Red Oak)
- \*RWC47-XS-CH (Cherry)
- 8" H x 3-7/8" W x 4" Depth
- \*RWC47-S (Hard Maple)
- \*RWC47-S-OAK (Red Oak)
- \*RWC47-S-CH (Cherry)
- 10-1/2" H x 5-1/8" W x 5-1/4" Depth
- \*RWC47-M (Hard Maple)
- \*RWC47-M-OAK (Red Oak)
- \*RWC47-M-CH (Cherry)
- 12" H x 5" W x 5-3/4" Depth
- \*RWC47-L (Hard Maple)
- \*RWC47-L-OAK (Red Oak)
- 14-1/4" H x 5-1/2" W x 7" Depth



- \*RWC53-S (Hard Maple)
- \*RWC53-S-OAK (Red Oak)
- \*RWC53-S-CH (Cherry)
- 10-5/8" H x 3-3/4" W x 6-1/2" Depth
- \*RWC53-L (Hard Maple)
- \*RWC53-L-OAK (Red Oak)
- \*RWC53-L-CH (Cherry)
- 13-1/8" H x 4" W x 8-1/4" Depth

*\*Supplied with pre-attached keyhole hangers.*



- \*RWC47-XL (Hard Maple)
- \*RWC47-XL-OAK (Red Oak)
- \*RWC47-XL-CH (Cherry)
- 26-1/2" H x 7-3/8" W x 8-3/8" Depth



- \*RWC51-XS (Hard Maple)
- \*RWC51-XS-OAK (Red Oak)
- \*RWC51-XS-CH (Cherry)
- 3-1/2" H x 1-7/8" W x 1-7/8" Depth
- \*RWC51-M (Hard Maple)
- \*RWC51-M-OAK (Red Oak)
- \*RWC51-M-CH (Cherry)
- 7-1/2" H x 4-1/2" W x 4-1/4" Depth
- \*RWC51-L (Hard Maple)
- \*RWC51-L-OAK (Red Oak)
- \*RWC51-L-CH (Cherry)
- 10-7/8" H x 6-1/2" W x 6-3/8" Depth

- \*RWC51-S (Hard Maple)
- \*RWC51-S-OAK (Red Oak)
- \*RWC51-S-CH (Cherry)
- 5-7/8" H x 3-1/2" W x 3-5/8" Depth
- \*RWC51-L (Hard Maple)
- \*RWC51-L-OAK (Red Oak)
- \*RWC51-L-CH (Cherry)
- 9-5/8" H x 5-3/4" W x 5-3/8" Depth



(Measurements are approximate)



# CORBELS

These ornaments are made of North American Hard Maple, Red Oak, Cherry & Alder.



- \*RWC34-S (Hard Maple)
- \*RWC34-S-OAK (Red Oak)
- \*RWC34-S-CH (Cherry)
- 7-5/8" H x 3-7/8" W x 3-3/4" Depth
- \*RWC34-L (Hard Maple)
- \*RWC34-L-OAK (Red Oak)
- \*RWC34-L-CH (Cherry)
- 9-5/8" H x 6-3/4" W x 6-1/4" Depth



- RWC364-S (Hard Maple)
- RWC364-S-OAK (Red Oak)
- RWC364-S-CH (Cherry)
- RWC364-S-ALD (Alder)
- 2-7/8" H x 2" W x 7/8" Depth
- RWC364-L (Hard Maple)
- RWC364-L-OAK (Red Oak)
- RWC364-L-CH (Cherry)
- RWC364-L-ALD (Alder)
- 4-1/8" H x 2-3/4" W x 1-1/8" Depth

- \*RWC46-S-OAK (Red Oak)
- \*RWC46-S-CH (Cherry)
- 5" H x 3-1/2" W x 1-3/4" Depth
- \*RWC46-M (Hard Maple)
- \*RWC46-M-OAK (Red Oak)
- \*RWC46-M-CH (Cherry)
- 6-3/8" H x 4-5/8" W x 2-3/8" Depth
- \*RWC46-L (Hard Maple)
- \*RWC46-L-OAK (Red Oak)
- \*RWC46-L-CH (Cherry)
- 7-3/4" H x 5-1/2" W x 2-7/8" Depth



- \*RWC43-S (Hard Maple)
- \*RWC43-S-OAK (Red Oak)
- \*RWC43-S-CH (Cherry)
- 4-3/8" H x 3-1/2" W x 1-3/4" Depth
- \*RWC43-M (Hard Maple)
- \*RWC43-M-OAK (Red Oak)
- 5-1/2" H x 4-1/2" W x 2-1/4" Depth
- \*RWC43-L (Hard Maple)
- \*RWC43-L-OAK (Red Oak)
- \*RWC43-L-CH (Cherry)
- 6-3/4" H x 5-1/2" W x 2-3/4" Depth



\*Supplied with pre-attached keyhole hangers.



- \*RWC50-S (Hard Maple)
- \*RWC50-S-OAK (Red Oak)
- \*RWC50-S-CH (Cherry)
- 4" H x 2-3/4" W x 2-1/4" Depth
- \*RWC50-M-OAK (Red Oak)
- \*RWC50-M-CH (Cherry)
- 6-1/4" H x 4-1/4" W x 3-3/8" Depth
- \*RWC50-L (Hard Maple)
- \*RWC50-L-OAK (Red Oak)
- \*RWC50-L-CH (Cherry)
- 8" H x 5-1/2" W x 4-3/8" Depth
- \*RWC50-XL (Hard Maple)
- \*RWC50-XL-OAK (Red Oak)
- \*RWC50-XL-CH (Cherry)
- 10-7/8" H x 7" W x 6-1/4" Depth



- \*RWC06-S (Hard Maple)
- \*RWC06-S-OAK (Red Oak)
- \*RWC06-S-CH (Cherry)
- 4" H x 2-7/8" W x 1-1/2" Depth
- \*RWC06-M (Hard Maple)
- \*RWC06-M-OAK (Red Oak)
- \*RWC06-M-CH (Cherry)
- 5-3/8" H x 3-3/4" W x 2" Depth
- \*RWC06-L (Hard Maple)
- \*RWC06-L-OAK (Red Oak)
- \*RWC06-L-CH (Cherry)
- 6-5/8" H x 4-5/8" W x 2-1/2" Depth

(Measurements are approximate)

# CORBELS

These ornaments are made of North American Hard Maple, Red Oak, Cherry & Alder.



- \*RWC349-XS (Hard Maple)
- \*RWC349-XS-OAK (Red Oak)
- \*RWC349-XS-CH (Cherry)
- \*RWC349-XS-ALD (Alder)
- 8" H x 3-3/4" W x 2-1/2" Depth
- \*RWC349-S (Hard Maple)
- \*RWC349-S-OAK (Red Oak)
- \*RWC349-S-CH (Cherry)
- \*RWC349-S-ALD (Alder)
- 10" H x 4-1/2" W x 3-1/4" Depth
- \*RWC349-L (Hard Maple)
- \*RWC349-L-OAK (Red Oak)
- \*RWC349-L-CH (Cherry)
- \*RWC349-L-ALD (Alder)
- 12-1/4" H x 5-3/8" W x 3-7/8" Depth
- \*RWC349-XL (Hard Maple)
- \*RWC349-XL-OAK (Red Oak)
- \*RWC349-XL-CH (Cherry)
- \*RWC349-XL-ALD (Alder)
- 14-5/8" H x 6-3/8" W x 4-5/8" Depth
- \*RWC349-XXL (Hard Maple)
- \*RWC349-XXL-OAK (Red Oak)
- \*RWC349-XXL-CH (Cherry)
- \*RWC349-XXL-ALD (Alder)
- 18" H x 7-1/2" W x 5-1/2" Depth

**\*Supplied with pre-attached keyhole hangers.**

- \*RWC361-S (Hard Maple)
- \*RWC361-S-OAK (Red Oak)
- \*RWC361-S-CH (Cherry)
- \*RWC361-S-ALD (Alder)
- 6-1/8" H x 3-1/8" W x 1-7/8" Depth
- \*RWC361-L (Hard Maple)
- \*RWC361-L-OAK (Red Oak)
- \*RWC361-L-CH (Cherry)
- \*RWC361-L-ALD (Alder)
- 9-1/8" H x 4-5/8" W x 2-3/4" Depth



- RWC358-S (Hard Maple)
- RWC358-S-OAK (Red Oak)
- RWC358-S-CH (Cherry)
- 4-7/8" H x 2-1/2" W x 1-3/8" Depth
- RWC358-L (Hard Maple)
- RWC358-L-OAK (Red Oak)
- RWC358-L-CH (Cherry)
- 6-3/4" H x 3-5/8" W x 2" Depth



- \*RWC352-S (Hard Maple)
- \*RWC352-S-OAK (Red Oak)
- \*RWC352-S-CH (Cherry)
- 8" H x 3-3/8" W x 2-1/2" Depth
- \*RWC352-M (Hard Maple)
- \*RWC352-M-OAK (Red Oak)
- \*RWC352-M-CH (Cherry)
- 10-1/2" H x 4-7/8" W x 3-1/4" Depth
- \*RWC352-L (Hard Maple)
- \*RWC352-L-OAK (Red Oak)
- \*RWC352-L-CH (Cherry)
- 13" H x 5-1/2" W x 4" Depth

- \*RWC337-S (Hard Maple)
- \*RWC337-S-OAK (Red Oak)
- \*RWC337-S-CH (Cherry)
- 8" H x 4" W x 8" Depth
- \*RWC337-M (Hard Maple)
- \*RWC337-M-OAK (Red Oak)
- \*RWC337-M-CH (Cherry)
- 10" H x 5" W x 10" Depth



(Measurements are approximate)

# CORBELS

These ornaments are made of North American Hard Maple, Red Oak, Cherry & Alder.



- \*RWC304-S (Hard Maple)
- \*RWC304-S-OAK (Red Oak)
- \*RWC304-S-CH (Cherry)
- \*RWC304-S-ALD (Alder)
- 8" H x 2-1/2" W x 5" Depth
- \*RWC304-M (Hard Maple)
- \*RWC304-M-OAK (Red Oak)
- \*RWC304-M-CH (Cherry)
- \*RWC304-M-ALD (Alder)
- 11" H x 3-1/2" W x 7-1/8" Depth
- \*RWC304-L (Hard Maple)
- \*RWC304-L-OAK (Red Oak)
- \*RWC304-L-CH (Cherry)
- \*RWC304-L-ALD (Alder)
- 13" H x 4" W x 8-1/2" Depth



- \*RWC301-S (Hard Maple)
- \*RWC301-S-OAK (Red Oak)
- \*RWC301-S-CH (Cherry)
- 8" H x 2-1/2" W x 5" Depth
- \*RWC301-M (Hard Maple)
- \*RWC301-M-OAK (Red Oak)
- \*RWC301-M-CH (Cherry)
- \*RWC301-M-ALD (Alder)
- 11" H x 3-1/2" W x 7-1/8" Depth
- \*RWC301-L (Hard Maple)
- \*RWC301-L-OAK (Red Oak)
- \*RWC301-L-CH (Cherry)
- 13" H x 4-3/4" W x 8-1/2" Depth

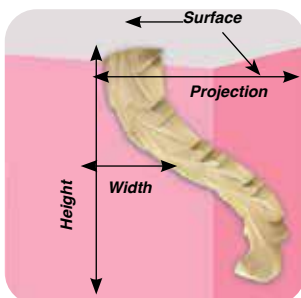
## Acanthus Leaf



- RWC367-S (Hard Maple)
- RWC367-S-OAK (Red Oak)
- RWC367-S-CH (Cherry)
- 6-1/4" H x 2-7/8" W x 5" Projection
- RWC367-M (Hard Maple)
- RWC367-M-OAK (Red Oak)
- RWC367-M-CH (Cherry)
- 8-3/8" H x 3-3/4" W x 6-5/8" Projection
- RWC367-L (Hard Maple)
- RWC367-L-OAK (Red Oak)
- RWC367-L-CH (Cherry)
- 10" H x 4-1/2" W x 7-7/8" Projection

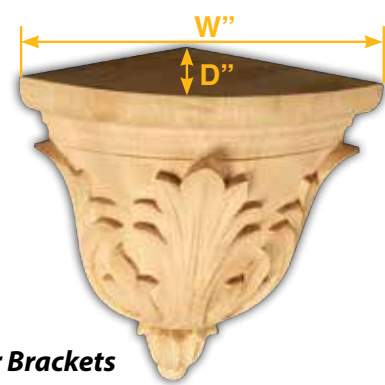
\*Supplied with pre-attached keyhole hangers.

PLEASE NOTE: To view leaf style of #RWC355, see #RWC367.



## Acanthus Leaf w/Bracket

- \*RWC355-S (Hard Maple)
- \*RWC355-S-OAK (Red Oak)
- \*RWC355-S-CH (Cherry)
- 8-1/4" H x 5" W x 6-3/4" Depth
- \*RWC355-M (Hard Maple)
- \*RWC355-M-OAK (Red Oak)
- \*RWC355-M-CH (Cherry)
- 10-3/4" H x 6-1/4" W x 8-5/8" Depth
- \*RWC355-L (Hard Maple)
- \*RWC355-L-OAK (Red Oak)
- \*RWC355-L-CH (Cherry)
- 12-1/2" H x 7" W x 10" Depth



## Corner Brackets

- \*RWC36-S (Hard Maple)
- \*RWC36-S-OAK (Red Oak)
- \*RWC36-S-CH (Cherry)
- 8-1/4" H x 5-1/4" W x 5-1/2" Depth
- \*RWC36-L (Hard Maple)
- \*RWC36-L-OAK (Red Oak)
- \*RWC36-L-CH (Cherry)
- 11-3/4" H x 10-1/2" W x 7-1/2" Depth

(Measurements are approximate)



# CORBELS

These ornaments are made of North American Hard Maple, Red Oak, Cherry & Alder.



- \*RWC41-XS (Hard Maple)
- \*RWC41-XS-OAK (Red Oak)
- \*RWC41-XS-CH (Cherry)
- \*RWC41-XS-ALD (Alder)
- 6-3/4" H x 3-3/8" W x 3-3/4" Depth
- \*RWC41-S (Hard Maple)
- \*RWC41-S-OAK (Red Oak)
- \*RWC41-S-CH (Cherry)
- \*RWC41-S-ALD (Alder)
- 10" H x 4-3/4" W x 5-3/8" Depth
- \*RWC41-M (Hard Maple)
- \*RWC41-M-OAK (Red Oak)
- \*RWC41-M-CH (Cherry)
- \*RWC41-M-ALD (Alder)
- 12-1/2" H x 5-1/8" W x 5-3/8" Depth
- \*RWC41-L (Hard Maple)
- \*RWC41-L-OAK (Red Oak)
- \*RWC41-L-CH (Cherry)
- \*RWC41-L-ALD (Alder)
- 14-3/8" H x 5-3/4" W x 5-5/8" Depth
- \*RWC41-XL (Hard Maple)
- \*RWC41-XL-OAK (Red Oak)
- \*RWC41-XL-CH (Cherry)
- \*RWC41-XL-ALD (Alder)
- 26-1/2" H x 7-3/8" W x 8-1/2" Depth
- \*RWC41-XXL (Hard Maple)
- \*RWC41-XXL-OAK (Red Oak)
- \*RWC41-XXL-CH (Cherry)
- \*RWC41-XXL-ALD (Alder)
- 36" H x 10" W x 11-1/4" Depth



- \*RWC42-XS (Hard Maple)
- \*RWC42-XS-OAK (Red Oak)
- \*RWC42-XS-CH (Cherry)
- 8" H x 3-7/8" W x 3-7/8" Depth
- \*RWC42-S (Hard Maple)
- \*RWC42-S-OAK (Red Oak)
- \*RWC42-S-CH (Cherry)
- 10-1/2" H x 5-1/8" W x 5-1/4" Depth
- \*RWC42-M (Hard Maple)
- \*RWC42-M-OAK (Red Oak)
- \*RWC42-M-CH (Cherry)
- 12-3/8" H x 5-1/8" W x 5-1/4" Depth
- \*RWC42-L (Hard Maple)
- \*RWC42-L-OAK (Red Oak)
- \*RWC42-L-CH (Cherry)
- 14-1/4" H x 5-1/2" W x 6-5/8" Depth

**\*Supplied with pre-attached keyhole hangers.**



- \*RWC41-BASE36 (Hard Maple)
- \*RWC41-BASE36-OAK (Red Oak)
- \*RWC41-BASE36-CH (Cherry)
- \*RWC41-BASE36-ALD (Alder)
- 36" H x 7" W x 7-1/2" Depth
- \*RWC41-BASE42 (Hard Maple)
- \*RWC41-BASE42-OAK (Red Oak)
- \*RWC41-BASE42-CH (Cherry)
- \*RWC41-BASE42-ALD (Alder)
- 42" H x 7-1/2" W x 8" Depth



(Measurements are approximate)

# CORBELS

These ornaments are made of North American Hard Maple, Red Oak, Cherry & Alder.



- \*RWC48-XS (Hard Maple)
- \*RWC48-XS-OAK (Red Oak)
- \*RWC48-XS-CH (Cherry)
- \*RWC48-XS-ALD (Alder)
- 7-1/8" H x 2-7/8" W x 1-3/8" Depth
- \*RWC48-S (Hard Maple)
- \*RWC48-S-OAK (Red Oak)
- \*RWC48-S-CH (Cherry)
- \*RWC48-S-ALD (Alder)
- 11-1/4" H x 4-3/8" W x 2-1/4" Depth
- \*RWC48-M (Hard Maple)
- \*RWC48-M-OAK (Red Oak)
- \*RWC48-M-CH (Cherry)
- \*RWC48-M-ALD (Alder)
- 15-3/8" H x 5-7/8" W x 2-5/8" Depth

- \*RWC03-S (Hard Maple)
- \*RWC03-S-OAK (Red Oak)
- \*RWC03-S-CH (Cherry)
- 8" H x 4-1/4" W x 3-3/8" Depth
- \*RWC03-M (Hard Maple)
- \*RWC03-M-OAK (Red Oak)
- \*RWC03-M-CH (Cherry)
- 10" H x 5-3/8" W x 4-3/8" Depth
- \*RWC03-L (Hard Maple)
- \*RWC03-L-OAK (Red Oak)
- \*RWC03-L-CH (Cherry)
- 12-1/2" H x 6-3/4" W x 5-1/8" Depth
- \*RWC03-XL (Hard Maple)
- \*RWC03-XL-OAK (Red Oak)
- \*RWC03-XL-CH (Cherry)
- 14-3/4" H x 7-7/8" W x 6-1/8" Depth



FOR THIS DESIGN IN RESIN, SEE PAGE L-82

\*Supplied with pre-attached keyhole hangers.

- \*RWC48-L (Hard Maple)
- \*RWC48-L-OAK (Red Oak)
- \*RWC48-L-CH (Cherry)
- \*RWC48-L-ALD (Alder)
- 24" H x 6-7/8" W x 3-1/2" Depth
- \*RWC48-XL (Hard Maple)
- \*RWC48-XL-OAK (Red Oak)
- \*RWC48-XL-CH (Cherry)
- \*RWC48-XL-ALD (Alder)
- 35-7/8" H x 8-1/2" W x 4-1/2" Depth

- \*RWC331-XL (Hard Maple)
- \*RWC331-XL-OAK (Red Oak)
- \*RWC331-XL-CH (Cherry)
- \*RWC331-XL-ALD (Alder)
- 24" H x 7-1/8" W x 6" Depth
- \*RWC331-XXL (Hard Maple)
- \*RWC331-XXL-OAK (Red Oak)
- \*RWC331-XXL-CH (Cherry)
- \*RWC331-XXL-ALD (Alder)
- 36" H x 10-3/4" W x 9" Depth

- \*RWC331-S (Hard Maple)
- \*RWC331-S-OAK (Red Oak)
- \*RWC331-S-CH (Cherry)
- \*RWC331-S-ALD (Alder)
- 10-1/8" H x 3-1/8" W x 2-5/8" Depth
- \*RWC331-M (Hard Maple)
- \*RWC331-M-OAK (Red Oak)
- \*RWC331-M-CH (Cherry)
- \*RWC331-M-ALD (Alder)
- 12" H x 3-5/8" W x 3-1/4" Depth
- \*RWC331-L (Hard Maple)
- \*RWC331-L-OAK (Red Oak)
- \*RWC331-L-CH (Cherry)
- \*RWC331-L-ALD (Cherry)
- 14" H x 4-3/8" W x 3-3/4" Depth

(Measurements are approximate)

# CAPITALS

These ornaments are made of North American Hard Maple, Red Oak, Cherry & Alder.



**RWC119-S** (Hard Maple)  
**RWC119-S-OAK** (Red Oak)  
**RWC119-S-CH** (Cherry)  
**RWC119-S-ALD** (Alder)  
 4" H x 3-7/8" W x 1" Depth  
**2-3/4" Collar**

**RWC119-M** (Hard Maple)  
**RWC119-M-OAK** (Red Oak)  
**RWC119-M-CH** (Cherry)  
**RWC119-M-ALD** (Alder)  
 5-3/8" H x 5-1/4" W x 1-1/8" Depth  
**3-3/4" Collar**

**RWC119-L** (Hard Maple)  
**RWC119-L-OAK** (Red Oak)  
**RWC119-L-CH** (Cherry)  
**RWC119-L-ALD** (Alder)  
 6-1/4" H x 6-1/8" W x 1-1/4" Depth

**RWC119-XL** (Hard Maple)  
**RWC119-XL-OAK** (Red Oak)  
**RWC119-XL-CH** (Cherry)  
**RWC119-XL-ALD** (Alder)  
 8-1/8" H x 8-1/8" W x 1-5/8" Depth



**RWC122-S** (Hard Maple)  
**RWC122-S-OAK** (Red Oak)  
**RWC122-S-CH** (Cherry)  
 3-3/8" H x 4-1/8" W x 1-3/8" Depth  
**2-3/4" Collar**

**RWC122-L** (Hard Maple)  
**RWC122-L-OAK** (Red Oak)  
**RWC122-L-CH** (Cherry)  
 4-3/4" H x 5-5/8" W x 1-3/4" Depth  
**3-3/4" Collar**



**RWC116-S** (Hard Maple)  
**RWC116-S-OAK** (Red Oak)  
**RWC116-S-CH** (Cherry)  
 3" H x 6-7/8" W x 1-5/8" Depth  
**2-3/4" Collar**

**RWC116-M** (Hard Maple)  
**RWC116-M-OAK** (Red Oak)  
**RWC116-M-CH** (Cherry)  
 4" H x 9-1/4" W x 2" Depth  
**3-3/4" Collar**

**RWC116-L** (Hard Maple)  
**RWC116-L-OAK** (Red Oak)  
**RWC116-L-CH** (Cherry)  
 4-5/8" H x 10-3/8" W x 2-3/8" Depth



**RWC113-S** (Hard Maple)  
**RWC113-S-OAK** (Red Oak)  
**RWC113-S-CH** (Cherry)  
**RWC113-S-ALD** (Alder)  
 5-1/2" H x 3-1/4" W x 1" Depth  
**2-3/4" Collar**

**RWC113-L** (Hard Maple)  
**RWC113-L-OAK** (Red Oak)  
**RWC113-L-CH** (Cherry)  
**RWC113-L-ALD** (Alder)  
 7-1/2" H x 4-1/2" W x 1-1/4" Depth  
**3-3/4" Collar**

(Measurements are approximate)



## CUSTOM CARVED WOOD PROGRAM

Take Advantage of our  
**AFFORDABLE CUSTOM CARVED  
WOOD PROGRAM**

**BUY DIRECT & SAVE**



**Custom Designs available in  
Solid North American Hardwood Hard Maple, Red Oak, Cherry and Alder**

**Send us a sample or a drawing  
Tooling charges will range**

### ***How Does The Custom Carved Wood Program Work?***

#### **Part 1**

##### ***Option A***

Customer must submit a true to size and detailed 1:1 scale drawing with front & side elevations. (All dimensions needed Length x Width x Depth).

##### ***Option B***

An actual sample is submitted and used as a reference.

\*Note: There will be a slight variation from the original sample sent to the carver due to the pieces being individually hand carved and the artisan's interpretation.

Also include species of wood (Hard Maple, Red Oak, Cherry or Alder) and approximate quantity needed.

#### **Part 2**

A quote will be provided within approximately 48 hours once all necessary information has been submitted to our Artisans.

#### **Part 3**

Once the quote has been approved by the customer, production of the prototype will begin. Additional shipping options and charges may apply. Please inquire.

#### **Part 4**

Once the prototype has been approved by the customer, final production will begin. Once again, lead times will vary according to quantity, size and detail.

**Please contact our sales department with any questions  
concerning information needed for quotation purposes.**

**NOTE: ACCEPTANCE OF ORDERS ARE SUBJECT TO INTERNATIONAL COPYRIGHT LAWS.**

# APPLIQUES

These ornaments are made of Medium Density Light Grain White Wood. (Similar to Basswood)



**WHC60**  
8" H x 5-1/2" W  
1" Depth



**WHC66**  
4-1/2" H x 12" W  
1-1/4" Depth

**WHC65**  
6" H x 16" W  
1-3/8" Depth



**WHC62**  
6-5/16" H x 14-3/8" W  
1-3/16" Depth



**WHC59**  
14-1/4" H x 6-5/8" W  
1" Depth



**WHC85**  
10-1/2" H x 8" W  
3/4" Depth

**WHC85-XS**  
6-1/4" H x 4-1/4" W  
1/2" Depth

**WHC85-S**  
8-3/8" H x 5-1/4" W  
5/8" Depth

**WHC85-L**  
15" H x 9-1/2" W  
3/4" Depth



**WHC58**  
10" H x 9-3/8" W  
1" Depth



**WHC83-M**  
4-1/2" H x 12" W  
1" Depth

**WHC83-L**  
6" H x 16" W  
1" Depth



**WHC67**  
5-3/4" H x 11" W  
1" Depth



**WHC63**  
5" H x 12" W  
3/4" Depth



**WHC72**  
6-1/2" H x 3-3/8" W  
3/4" Depth

**Packing Fee (FEE10)**  
(Measurements are approximate)

# APPLIQUES

These ornaments are made of Medium Density Light Grain White Wood. (Similar to Basswood)



**WHC64**  
7-3/4" H x 7-1/2" W  
3/4" Depth



**WHC61**  
8" H x 7-3/8" W  
1" Depth



**WHC80**  
9-7/8" H x 8" W  
4" Depth

**WHC80-S**  
6-1/4" H x 5" W  
3-1/2" Depth

**WHC80-L**  
12" H x 10" W  
6" Depth

# CORBELS



**WHC79**  
(White Hardwood)  
8-1/2" H x 5-1/8" W  
3-5/8" Depth



**WHC77**  
(White Hardwood)  
9" H x 6-1/2" W  
5" Depth



**WHC87-M**  
(White Hardwood)  
9" H x 6" W  
4" Depth



**WHC71**  
(White Hardwood)  
12" H x 10-1/8" W  
7-3/4" Depth

**WHC71-M**  
(White Hardwood)  
9" H x 8-1/4" W  
5-3/4" Depth

**WHC71-S**  
(White Hardwood)  
6-1/8" H x 5-5/8" W  
3-3/4" Depth

**WHC71-L**  
(White Hardwood)  
14" H x 11-3/4" W  
8-1/2" Depth

**WHC73**  
(White Hardwood)  
12-1/2" H x 6-1/2" W  
6-1/4" Depth



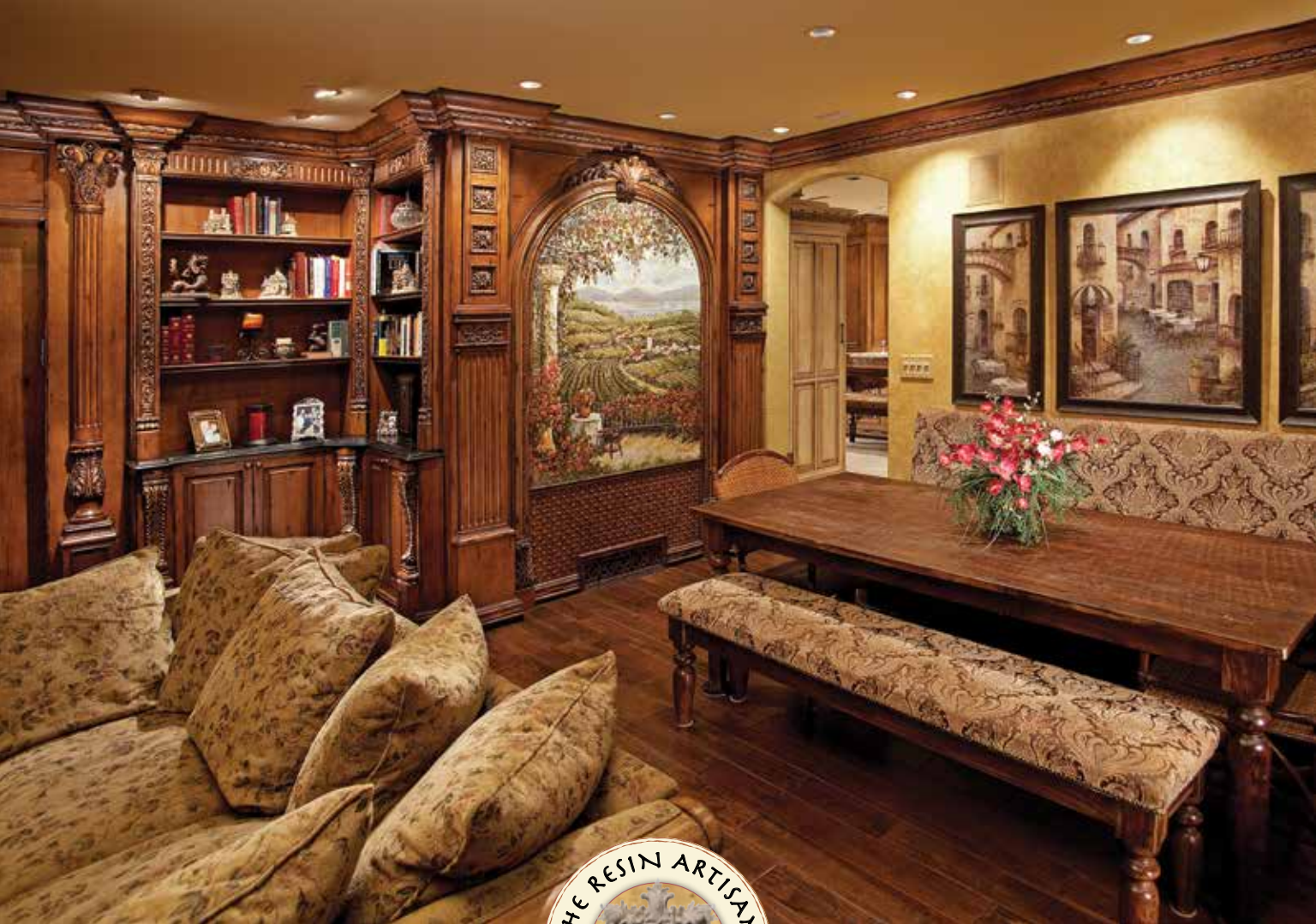
**WHC73-S**  
(White Hardwood)  
7" H x 4-1/8" W  
3-3/4" Depth

**WHC87-XL**  
(White Hardwood)  
13" H x 3-1/2" W  
3-1/2" Depth



**Packing Fee (FEE10)**  
(Measurements are approximate)





*The Resin Artisan Collection is an exquisite line of ornamentation products born of a hybrid technology.*

*Hardwood Maples & Resins are combined to achieve the most intricate & crisp detailing available.*

*These products are as easy to work with as wood while having several advantages over wood alone.*

*The hybrid technology allows for consistent density without knots, warping or cupping.*

*All standard woodworking tools & glues can be used just as with wood.*

*The non-porous resin absorbs stains evenly, resulting in a beautifully uniform finish & color.*

*Experience the exquisite detailing & easy to work with material of The Resin Artisan Collection.*

• Hybrid Technology

• Unparalleled Detailing

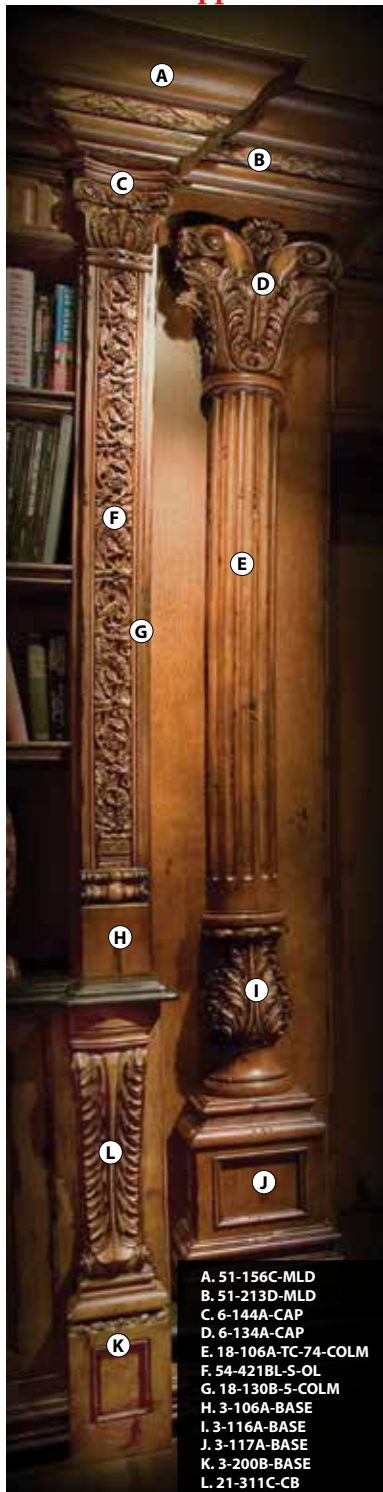
• Consistency of Material & Finish

• Over 1300 Castings/Designs

• Ease of Use

• Endless Applications

All sizes are approximate



- A. 51-156C-MLD
- B. 51-213D-MLD
- C. 6-144A-CAP
- D. 6-134A-CAP
- E. 18-106A-TC-74-COLM
- F. 54-421BL-S-OL
- G. 18-130B-5-COLM
- H. 3-106A-BASE
- I. 3-116A-BASE
- J. 3-117A-BASE
- K. 3-200B-BASE
- L. 21-311C-CB

## CAPITALS



**6-130AA-CAP**  
 Height: 4-3/4"  
 Top: 3-3/4"W x 1-1/4"D  
 Bottom: 2-1/2"W x 1"D



**6-141A-CAP**  
 4-1/4"W x 7-3/4"H x 2-3/4"D  
 Collar: 3-1/2"W x 1-1/4"D



**6-134A-CAP**  
 6-1/4"W x 10-3/4"H x 3-3/4"D  
 Collar: 3-1/4"W x 2-3/4"D

## COLUMNS



**18-114AA-7-COLM**  
 2-1/4"W x 7"H x 1"D



**18-112A-7-COLM**  
 3-1/4"W x 7"H x 1"D



**18-106A-TC-54-COLM**  
 54" Tapered column

## BASES



**3-106AA-BASE**  
 Height: 8-1/2"  
 Top: 2-3/8"  
 Bottom: 2-1/2"



**3-151A-BASE**  
 Height: 14-1/2"  
 Top: 2-3/8"  
 Bottom: 3-3/4"W x 1-1/2"D



**3-116A-BASE**  
 Height: 15-1/4"  
 Top: 3-1/4" dia.  
 Bottom: 4-1/4" dia.

More styles available  
 See the full line at [www.outwater.com](http://www.outwater.com)

A \$10.00 packing fee will apply to all orders under \$500.00. Orders of \$501.00-\$1000 will incur a \$20.00 packing fee. Please inquire with a sales representative for packing fees over \$1000.00.

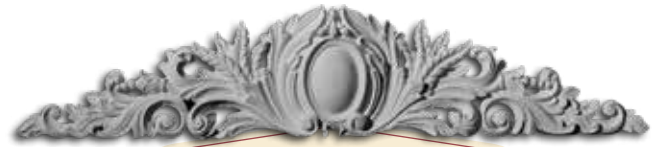


All sizes are approximate

CARTOUCHES



**9-123-CT**  
54"W x 12"H x 1-1/4"D



**9-104AS-CT**  
28"W x 5-3/4"H x 1-1/2"D



- A. 3-112A-BASE
- B. 15-160A-CP
- C. 6-145A-CAP
- D. 18-108A-4-COLM
- E. 51-250F-MLD
- F. 51-320-MLD
- G. 51-125B-MLD

CENTERS



**15-130A-CP**  
6-1/2"W x 8"H x 1"D



**15-143E-CP**  
6"W x 7-1/4"H x 3/4"D

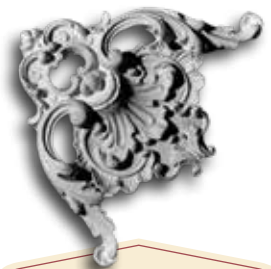


- A. 54-165A-OL
- B. 18-112B-8-COLM
- C. 51-250F-MLD
- D. 3-106AT-BASE

CORNER ELEMENTS



**24-131E-CE**  
24"W x 24"H x 1-1/4"D



**24-136-CE**  
3-3/4"W x 3-3/4"H x 1/2"D

More styles available  
See the full line at [www.outwater.com](http://www.outwater.com)



A \$10.00 packing fee will apply to all orders under \$500.00. Orders of \$501.00-\$1000 will incur a \$20.00 packing fee. Please inquire with a sales representative for packing fees over \$1000.00.



All sizes are approximate

## CORBELS



**21-307C-CB**  
5-1/4"W x 9-1/2"H x 5-1/4"D



**21-331AT-CB**  
4-3/4"W x 21-3/4"H x 3"D



**21-311B-CB**  
4-1/2"W x 21-1/4"H x 2-3/8"D

## ONLAYS



**54-110B-OL**  
7-3/4"W x 11-1/2"H x 1/2"D



**54-116A-OL**  
5-3/4"W x 14"H x 1/2"D



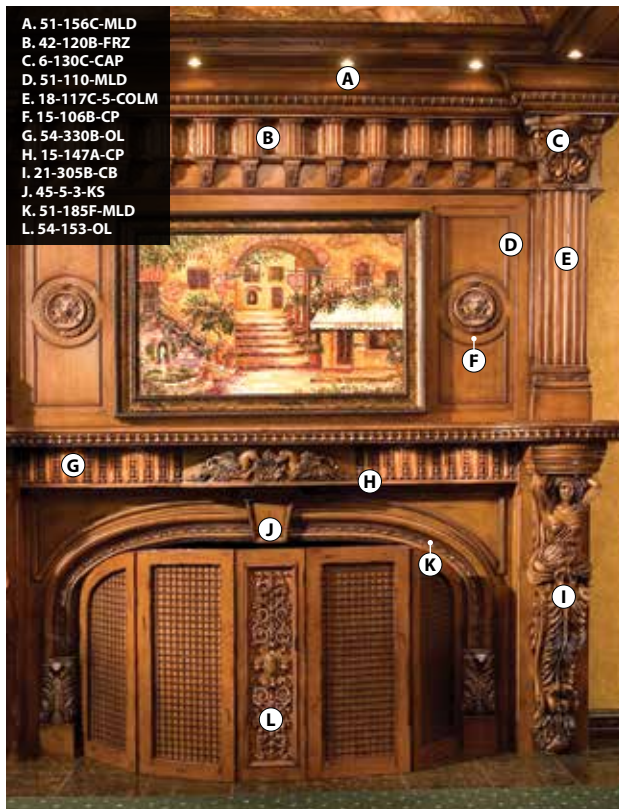
**54-174-OL**  
3-1/4"W x 5-1/2"H x 1-1/4"D

More styles available



See the full line at [www.outwater.com](http://www.outwater.com)

- A. 51-156C-MLD
- B. 42-120B-FRZ
- C. 6-130C-CAP
- D. 51-110-MLD
- E. 18-117C-5-COLM
- F. 15-106B-CP
- G. 54-330B-OL
- H. 15-147A-CP
- I. 21-305B-CB
- J. 45-5-3-KS
- K. 51-185F-MLD
- L. 54-153-OL



A \$10.00 packing fee will apply to all orders under \$500.00. Orders of \$501.00-\$1000 will incur a \$20.00 packing fee. Please inquire with a sales representative for packing fees over \$1000.00.

All sizes are approximate

**DECOS**



**27-150A-DC**  
1-1/2"W x 1-1/2"H x 5/8"D  
**27-150B-DC**  
2"W x 2"H x 3/4"D



**27-102A-DC**  
2-1/4"W x 2-1/4"H x 1/2"D

**FACES**



**33-113-FACE**  
3-1/2"W x 4"H x 1-1/4"D



**33-116A-FACE**  
5-1/2"W x 7-1/4"H x 1-1/4"D  
**33-116B-FACE**  
8-1/4"W x 10"H x 2"D

**FINIALS**



**39-100A-FIN**  
5-1/4"W x 2-3/4" Base dia.



**39-110-FIN**  
2-1/4" dia. x 3-3/4"H

More styles available

See the full line at [www.outwater.com](http://www.outwater.com)



**DROPS**



**30-110A-DP**  
2-3/4"W x 8"H x 1/2"D  
**30-110B-DP**  
4-1/4"W x 12"H x 1/2"D  
**30-110C-DP**  
6"W x 17"H x 1"D



**30-200AA-DP**  
1-1/4"W x 10-1/2"H x 1/2"D

**FESTOONS**



**36-100B-FEST**  
20-1/2"W x 9-1/2"H x 1"D



**36-164A-EXT-FEST**  
15"W x 7-1/2"H x 3/4"D



A. 51-156TDA-MLD with 51-103A-MLD Insert  
B. 84-4-AT-PB  
C. 21-331AT-CB  
D. 18-115B-8-COLM  
E. 9-105AD-CT

A \$10.00 packing fee will apply to all orders under \$500.00. Orders of \$501.00-\$1000 will incur a \$20.00 packing fee. Please inquire with a sales representative for packing fees over \$1000.00.



All sizes are approximate

All Mouldings Are Flexible Resin

## FRIEZES



**42-115B-FRZ**  
 11-1/2"W x 1-1/4"D x 66"L



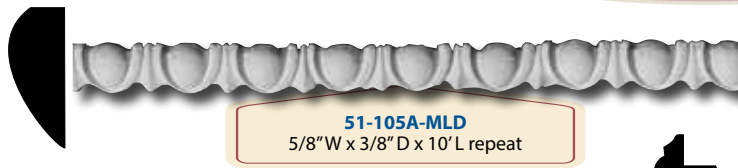
**42-200B-FRZ**  
 4-1/2"W x 3/4"D x 10'L



All Mouldings Are Flexible Resin

## MOULDINGS

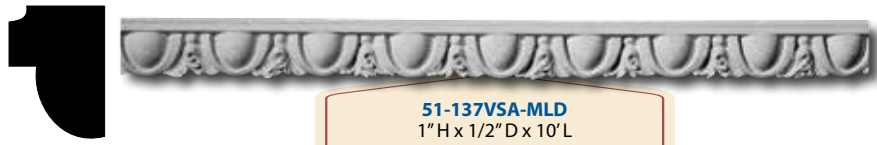
More styles available  
 See the full line at [www.outwater.com](http://www.outwater.com)



**51-105A-MLD**  
 5/8"W x 3/8"D x 10'L repeat



**51-174-MLD**  
 1-3/4"W x 1"D x 10'L



**51-137VSA-MLD**  
 1"H x 1/2"D x 10'L

## MEDALLIONS



**48-100-MD**  
 12-1/2" dia x 5" D



**48-106A-MD**  
 13-1/2" dia x 2-3/4" D  
 4" dia. center

A \$10.00 packing fee will apply to all orders under \$500.00. Orders of \$501.00-\$1000 will incur a \$20.00 packing fee. Please inquire with a sales representative for packing fees over \$1000.00.



All sizes are approximate



A. 45-102A-XT-KS  
 B. 51-182F-MLD  
 C. 18-107B-4-COLM  
 D. 3-120A-BASE  
 E. 42-200A-FRZ

### SWAGS



**78-125A-SW**  
 5"W x 2"H x 3/4"D each side  
**78-125B-SW**  
 10"W x 3"H x 3/4"D each side  
**78-125C-SW**  
 18"W x 5"H x 1-1/4"D each side



**78-106A-EXT-SW**  
 3-3/4"W x 9"H x 1/2"D each side  
**78-106B-EXT-SW**  
 4-3/4"W x 12"H x 1/2"D each side  
**78-106C-EXT-SW**  
 6-1/4"W x 14-1/2"H x 1/2"D each side

### SCROLLS



**99-112A-SCR**  
 3-1/4"W x 6"H x 5/8"D each side  
**99-112B-SCR**  
 5"W x 9-1/4"H x 1/2"D each side  
**99-112C-SCR**  
 7-1/4"W x 13"H x 3/4"D each side



**99-413A-SCR**  
 5-1/2"W x 13"H x 1/2"D each side

### RINGS



A. 66-123B-RING  
 B. 54-104A-PANEL



**66-105-RING**  
 6-1/4" O.D. 3/4" I.D.  
 1/2" thick



**66-123B-RING**  
 8-7/8" O.D. 5" I.D.  
 1" thick

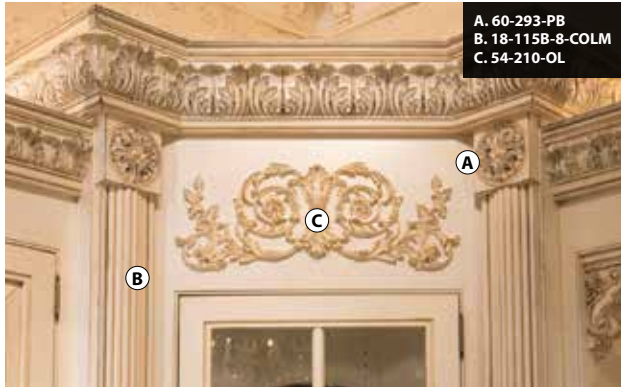
More styles available  
 See the full line at [www.outwater.com](http://www.outwater.com)



A \$10.00 packing fee will apply to all orders under \$500.00. Orders of \$501.00-\$1000 will incur a \$20.00 packing fee. Please inquire with a sales representative for packing fees over \$1000.00.

All sizes are approximate

## PLINTH BLOCKS



A. 60-293-PB  
B. 18-115B-8-COLM  
C. 54-210-OL



**60-3-2-PB**  
3-1/4"W x 3-1/4"H x 1-3/4"D



**60-3-3-PB**  
3-1/4"W x 3-1/4"H x 1-3/4"D



**60-292B-PB**  
4"W x 4"H x 1-1/4"D

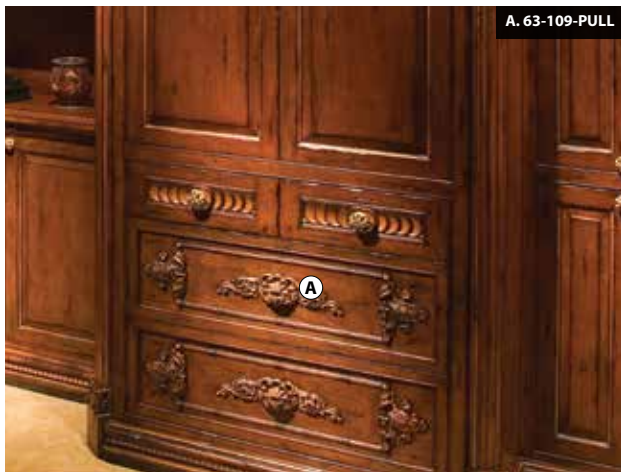


**60-293-PB**  
5"W x 5"H x 1-1/4"D

More styles available  
See the full line at [www.outwater.com](http://www.outwater.com)



## PULLS



A. 63-109-PULL



**63-115A-PULL**  
1-3/4" dia. x 1-1/2"D



**63-111B-PULL**  
6-1/2"W x 3"H x 1-1/4"D

A \$10.00 packing fee will apply to all orders under \$500.00. Orders of \$501.00-\$1000 will incur a \$20.00 packing fee. Please inquire with a sales representative for packing fees over \$1000.00.



All sizes are approximate

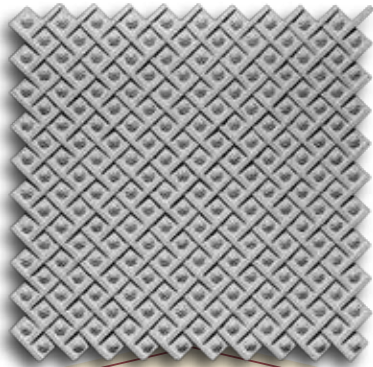
PANELS



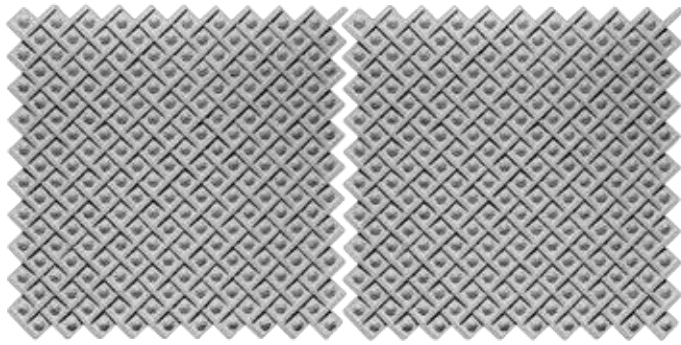
**57-103A-PANEL**  
8"W x 17-1/4"H x 1"D  
**57-103B-PANEL**  
12-3/4"W x 22-3/4"H x 1-1/4"D



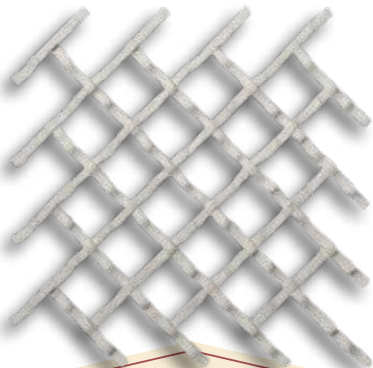
A. 57-103B-PANEL  
B. 21-221F-CB  
C. 18-115D-5-COLM



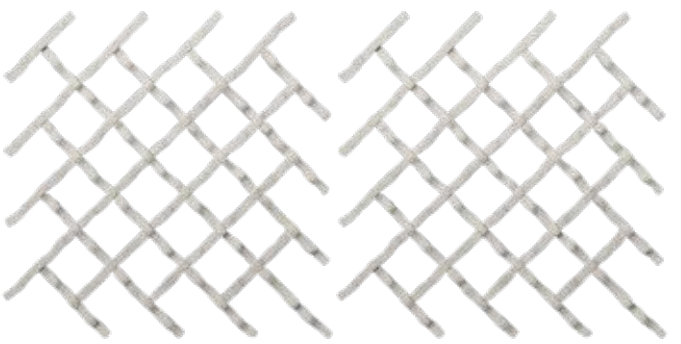
**57-104A-PANEL**  
13-3/4"W x 13-3/4"H x 3/8"D  
**57-104B-PANEL**  
16-1/4"W x 16-1/4"H x 3/4"D



INTERLOCKING SYSTEM



**57-105A-PANEL**  
13-1/2"W x 13-1/2"H x 1/4"D  
**57-105B-PANEL**  
13-1/2"W x 13-1/2"H x 3/8"D



INTERLOCKING SYSTEM

More styles available  
See the full line at [www.outwater.com](http://www.outwater.com)

A \$10.00 packing fee will apply to all orders under \$500.00. Orders of \$501.00-\$1000 will incur a \$20.00 packing fee. Please inquire with a sales representative for packing fees over \$1000.00.



All sizes are approximate



A. 51-185F-MLD (Flex)  
 B. 45-107C-KS  
 C. 51-185-MLD (Wood)  
 D. 51-204B-MLD  
 E. 3-118C-BASE

## KEYSTONES



**45-3-3-KS**  
 6-3/4"W x 5-1/2"H x 3-1/4"D



**45-105A-XT-KS**  
 16-3/4"W x 7-3/4"H x 3"D



**45-107A-KS**  
 21-3/4" x 6-3/4" x 2-3/4"

More styles available  
 See the full line at [www.outwater.com](http://www.outwater.com)

## ROSETTES



A. 69-357C-ROST  
 B. 6-130B-CAP



**69-264A-ROST**  
 2-1/4"W x 2-1/4"H x 1/2"D  
**69-264B-ROST**  
 3"W x 3"H x 5/8"D



**69-356A-ROST**  
 3-1/4"W x 3-1/4"H x 1/2"D  
**69-356B-ROST**  
 4"W x 4"H x 3/4"D



**69-351A-ROST**  
 4" dia. x 3/4"D  
**69-351B-ROST**  
 5" dia. x 1"D  
**69-351C-ROST**  
 6" dia. x 1"D

A \$10.00 packing fee will apply to all orders under \$500.00. Orders of \$501.00-\$1000 will incur a \$20.00 packing fee. Please inquire with a sales representative for packing fees over \$1000.00.

FRIEZE & CROWN MOULDINGS



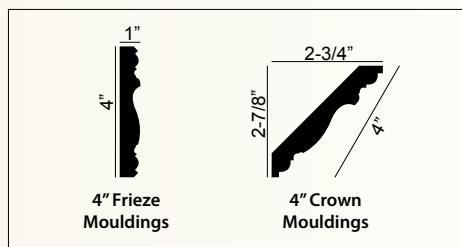
**FRIEZE**  
**42-404A-FRZ**

Design Repeat: 2-3/4"  
Thickness: 1"  
Width: 4"

**CROWN**  
**51-404A-MLD**

Design Repeat: 2-3/4"  
Thickness: 1"  
Width: 4"

- *The Design & Detail of these mouldings are made from a mixture of polymers, contoured onto a Hardwood substrate.*
- *Can be painted with any quality latex or oil based product. When staining, use a non-penetrating gel stain.*
- *Mouldings are available in 5 ft. and 10 ft. lengths.*



**FRIEZE**  
**42-404B-FRZ**

Design Repeat: 3-1/4"  
Thickness: 1"  
Width: 4"

**CROWN**  
**51-404B-MLD**

Design Repeat: 3-1/4"  
Thickness: 1"  
Width: 4"



**FRIEZE**  
**42-404C-FRZ**

Design Repeat: 4"  
Thickness: 1"  
Width: 4"

**CROWN**  
**51-404C-MLD**

Design Repeat: 4"  
Thickness: 1"  
Width: 4"



**FRIEZE**  
**42-404D-FRZ**

Design Repeat: 10-1/2"  
Thickness: 1"  
Width: 4"

**CROWN**  
**51-404D-MLD**

Design Repeat: 10-1/2"  
Thickness: 1"  
Width: 4"



**FRIEZE**  
**42-404E-FRZ**

Design Repeat: 6-3/4"  
Thickness: 1"  
Width: 4"

**CROWN**  
**51-404E-MLD**

Design Repeat: 6-3/4"  
Thickness: 1"  
Width: 4"

FRIEZE & CROWN MOULDINGS



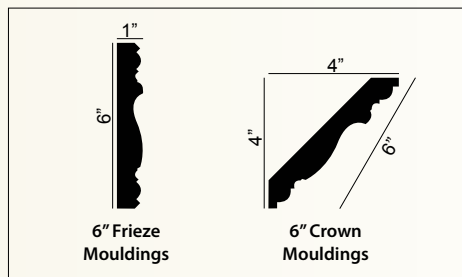
**FRIEZE**  
**42-406A-FRZ**

Design Repeat: 3-3/4"  
Thickness: 1"  
Width: 6"

**CROWN**  
**51-406A-MLD**

Design Repeat: 3-3/4"  
Thickness: 1"  
Width: 6"

- The Design & Detail of these mouldings are made from a mixture of polymers, contoured onto a Hardwood substrate.
- Can be painted with any quality latex or oil based product. When staining, use a non-penetrating gel stain.
- Mouldings are available in 5 ft. and 10 ft. lengths.



**FRIEZE**  
**42-406B-FRZ**

Design Repeat: 4-7/8"  
Thickness: 1"  
Width: 6"

**CROWN**  
**51-406B-MLD**

Design Repeat: 4-7/8"  
Thickness: 1"  
Width: 6"



**FRIEZE**  
**42-406C-FRZ**

Design Repeat: 6-3/8"  
Thickness: 1"  
Width: 6"

**CROWN**  
**51-406C-MLD**

Design Repeat: 6-3/8"  
Thickness: 1"  
Width: 6"



**FRIEZE**  
**42-406D-FRZ**

Design Repeat: 19"  
Thickness: 1"  
Width: 6"

**CROWN**  
**51-406D-MLD**

Design Repeat: 19"  
Thickness: 1"  
Width: 6"



**FRIEZE**  
**42-406E-FRZ**

Design Repeat: 7-3/4"  
Thickness: 1"  
Width: 6"

**CROWN**  
**51-406E-MLD**

Design Repeat: 7-3/4"  
Thickness: 1"  
Width: 6"



FRIEZE & CROWN MOULDINGS

- The Design & Detail of these mouldings are made from a mixture of polymers, contoured onto a Hardwood substrate.
- Can be painted with any quality latex or oil based product. When staining, use a non-penetrating gel stain.
- Mouldings are available in 5 ft. and 10 ft. lengths.



**FRIEZE**  
**42-408A-FRZ**

Design Repeat: 5-1/4"  
Thickness: 1"  
Width: 8"

**CROWN**  
**51-408A-MLD**

Design Repeat: 5-1/4"  
Thickness: 1"  
Width: 8"



**FRIEZE**  
**42-408B-FRZ**

Design Repeat: 6-1/2"  
Thickness: 1"  
Width: 8"

**CROWN**  
**51-408B-MLD**

Design Repeat: 6-1/2"  
Thickness: 1"  
Width: 8"



**FRIEZE**  
**42-408C-FRZ**

Design Repeat: 7-14"  
Thickness: 1"  
Width: 8"

**CROWN**  
**51-408C-MLD**

Design Repeat: 7-14"  
Thickness: 1"  
Width: 8"

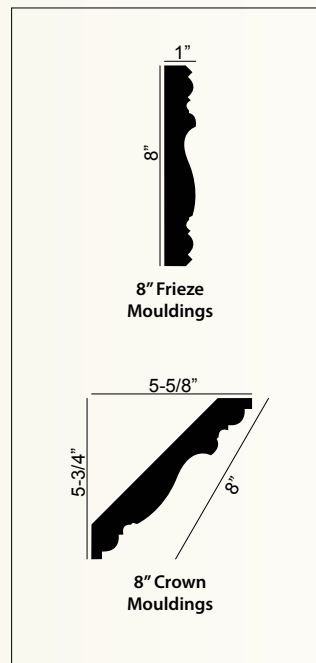


**FRIEZE**  
**42-408E-FRZ**

Design Repeat: 11"  
Thickness: 1"  
Width: 8"

**CROWN**  
**51-408E-MLD**

Design Repeat: 11"  
Thickness: 1"  
Width: 8"



FRIEZE & CROWN MOULDINGS



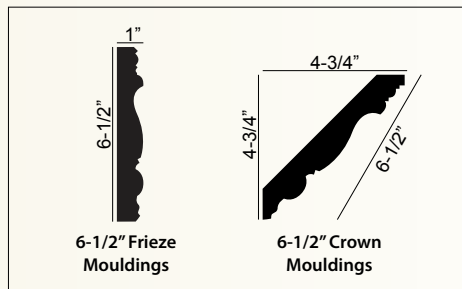
**FRIEZE**  
**42-1-430A-1-FRZ**

Top Repeat: 3-3/4"  
Bottom Repeat: 1-3/4"  
Thickness: 1"  
Width: 6-1/2"

**CROWN**  
**51-430A-1-MLD**

Top Repeat: 3-3/4"  
Bottom Repeat: 1-3/4"  
Thickness: 1"  
Width: 6-1/2"

- The Design & Detail of these mouldings are made from a mixture of polymers, contoured onto a Hardwood substrate.
- Can be painted with any quality latex or oil based product. When staining, use a non-penetrating gel stain.
- Mouldings are available in 5 ft. and 10 ft. lengths.



**FRIEZE**  
**42-2-430A-2-FRZ**

Top Repeat: 3-3/4"  
Bottom Repeat: 7-1/2"  
Thickness: 1"  
Width: 6-1/2"

**CROWN**  
**51-430A-2-MLD**

Top Repeat: 3-3/4"  
Bottom Repeat: 7-1/2"  
Thickness: 1"  
Width: 6-1/2"



**FRIEZE**  
**42-3-430A-3-FRZ**

Top Repeat: 3-3/4"  
Bottom Repeat: 11-1/4"  
Thickness: 1"  
Width: 6-1/2"

**CROWN**  
**51-430A-3-MLD**

Top Repeat: 3-3/4"  
Bottom Repeat: 11-1/4"  
Thickness: 1"  
Width: 6-1/2"



**FRIEZE**  
**42-4-430A-4-FRZ**

Top Repeat: 3-3/4"  
Bottom Repeat: 4-1/2"  
Thickness: 1"  
Width: 6-1/2"

**CROWN**  
**51-430A-4-MLD**

Top Repeat: 3-3/4"  
Bottom Repeat: 4-1/2"  
Thickness: 1"  
Width: 6-1/2"



**FRIEZE**  
**42-5-430A-5-FRZ**

Top Repeat: 3-3/4"  
Bottom Repeat: 1-1/4"  
Thickness: 1"  
Width: 6-1/2"

**CROWN**  
**51-430A-5-MLD**

Top Repeat: 3-3/4"  
Bottom Repeat: 1-1/4"  
Thickness: 1"  
Width: 6-1/2"

## FRIEZE & CROWN MOULDINGS

- *The Design & Detail of these mouldings are made from a mixture of polymers, contoured onto a Hardwood substrate.*
- *Can be painted with any quality latex or oil based product. When staining, use a non-penetrating gel stain.*
- *Mouldings are available in 5 ft. and 10 ft. lengths.*



**FRIEZE**  
**42-6-430A-6-FRZ**

Top Repeat: 3-3/4"  
Bottom Repeat: 7"  
Thickness: 1"  
Width: 6-1/2"

**CROWN**  
**51-430A-6-MLD**

Top Repeat: 3-3/4"  
Bottom Repeat: 7"  
Thickness: 1"  
Width: 6-1/2"



**FRIEZE**  
**42-7-430A-7-FRZ**

Top Repeat: 3-3/4"  
Bottom Repeat: 1-1/4"  
Thickness: 1"  
Width: 6-1/2"

**CROWN**  
**51-430A-7-MLD**

Top Repeat: 3-3/4"  
Bottom Repeat: 1-1/4"  
Thickness: 1"  
Width: 6-1/2"



**FRIEZE**  
**42-8-430A-8-FRZ**

Top Repeat: 3-3/4"  
Bottom Repeat: 1-1/4"  
Thickness: 1"  
Width: 6-1/2"

**CROWN**  
**51-430A-8-MLD**

Top Repeat: 3-3/4"  
Bottom Repeat: 1-1/4"  
Thickness: 1"  
Width: 6-1/2"

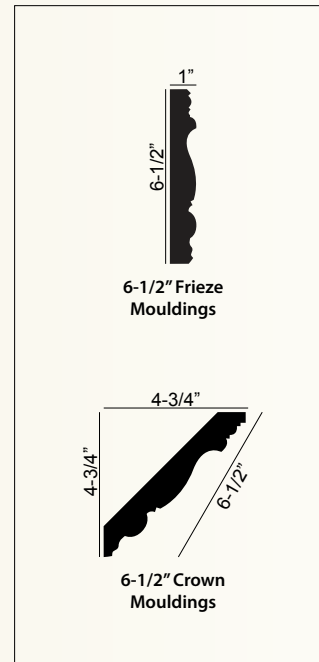


**FRIEZE**  
**42-9-430A-9-FRZ**

Top Repeat: 3-3/4"  
Bottom Repeat: 1-1/2"  
Thickness: 1"  
Width: 6-1/2"

**CROWN**  
**51-430A-9-MLD**

Top Repeat: 3-3/4"  
Bottom Repeat: 1-1/2"  
Thickness: 1"  
Width: 6-1/2"





FRIEZE & CROWN MOULDINGS



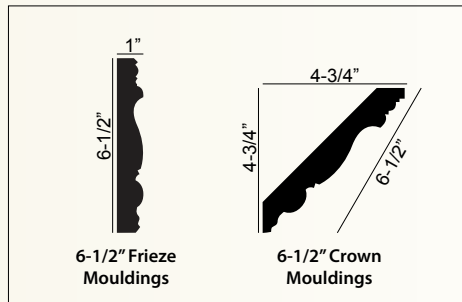
**FRIEZE**  
**42-1-430B-1-FRZ**

Top Repeat: 4-7/8"  
Bottom Repeat: 1-3/4"  
Thickness: 1"  
Width: 6-1/2"

**CROWN**  
**51-430B-1-MLD**

Top Repeat: 4-7/8"  
Bottom Repeat: 1-3/4"  
Thickness: 1"  
Width: 6-1/2"

- The Design & Detail of these mouldings are made from a mixture of polymers, contoured onto a Hardwood substrate.
- Can be painted with any quality latex or oil based product. When staining, use a non-penetrating gel stain.
- Mouldings are available in 5 ft. and 10 ft. lengths.



**FRIEZE**  
**42-2-430B-2-FRZ**

Top Repeat: 4-7/8"  
Bottom Repeat: 7-1/2"  
Thickness: 1"  
Width: 6-1/2"

**CROWN**  
**51-430B-2-MLD**

Top Repeat: 4-7/8"  
Bottom Repeat: 7-1/2"  
Thickness: 1"  
Width: 6-1/2"



**FRIEZE**  
**42-3-430B-3-FRZ**

Top Repeat: 4-7/8"  
Bottom Repeat: 11-1/4"  
Thickness: 1"  
Width: 6-1/2"

**CROWN**  
**51-430B-3-MLD**

Top Repeat: 4-7/8"  
Bottom Repeat: 11-1/4"  
Thickness: 1"  
Width: 6-1/2"



**FRIEZE**  
**42-4-430B-4-FRZ**

Top Repeat: 4-7/8"  
Bottom Repeat: 4-1/2"  
Thickness: 1"  
Width: 6-1/2"

**CROWN**  
**51-430B-4-MLD**

Top Repeat: 4-7/8"  
Bottom Repeat: 4-1/2"  
Thickness: 1"  
Width: 6-1/2"



**FRIEZE**  
**42-5-430B-5-FRZ**

Top Repeat: 4-7/8"  
Bottom Repeat: 1-1/4"  
Thickness: 1"  
Width: 6-1/2"

**CROWN**  
**51-430B-5-MLD**

Top Repeat: 4-7/8"  
Bottom Repeat: 1-1/4"  
Thickness: 1"  
Width: 6-1/2"

## FRIEZE & CROWN MOULDINGS



**FRIEZE**  
**42-6-430B-6-FRZ**

Top Repeat: 4-7/8"  
Bottom Repeat: 7"  
Thickness: 1"  
Width: 6-1/2"

**CROWN**  
**51-430B-6-MLD**

Top Repeat: 4-7/8"  
Bottom Repeat: 7"  
Thickness: 1"  
Width: 6-1/2"



**FRIEZE**  
**42-7-430B-7-FRZ**

Top Repeat: 4-7/8"  
Bottom Repeat: 1-1/4"  
Thickness: 1"  
Width: 6-1/2"

**CROWN**  
**51-430B-7-MLD**

Top Repeat: 4-7/8"  
Bottom Repeat: 1-1/4"  
Thickness: 1"  
Width: 6-1/2"



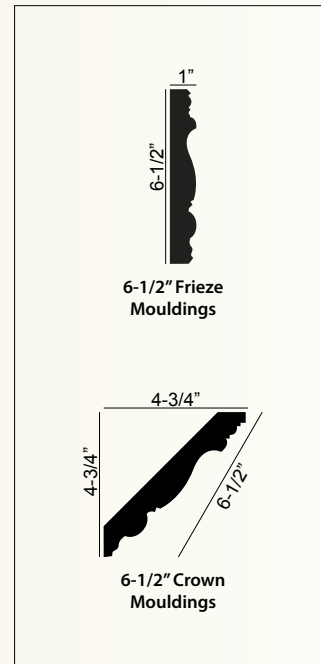
**FRIEZE**  
**42-8-430B-8-FRZ**

Top Repeat: 4-7/8"  
Bottom Repeat: 1-1/4"  
Thickness: 1"  
Width: 6-1/2"

**CROWN**  
**51-430B-8-MLD**

Top Repeat: 4-7/8"  
Bottom Repeat: 1-1/4"  
Thickness: 1"  
Width: 6-1/2"

- *The Design & Detail of these mouldings are made from a mixture of polymers, contoured onto a Hardwood substrate.*
- *Can be painted with any quality latex or oil based product. When staining, use a non-penetrating gel stain.*
- *Mouldings are available in 5 ft. and 10 ft. lengths.*



**FRIEZE**  
**42-9-430B-9-FRZ**

Top Repeat: 4-7/8"  
Bottom Repeat: 1-1/2"  
Thickness: 1"  
Width: 6-1/2"

**CROWN**  
**51-430B-9-MLD**

Top Repeat: 4-7/8"  
Bottom Repeat: 1-1/2"  
Thickness: 1"  
Width: 6-1/2"

FRIEZE & CROWN MOULDINGS

- The Design & Detail of these mouldings are made from a mixture of polymers, contoured onto a Hardwood substrate.
- Can be painted with any quality latex or oil based product. When staining, use a non-penetrating gel stain.
- Mouldings are available in 5 ft. and 10 ft. lengths.

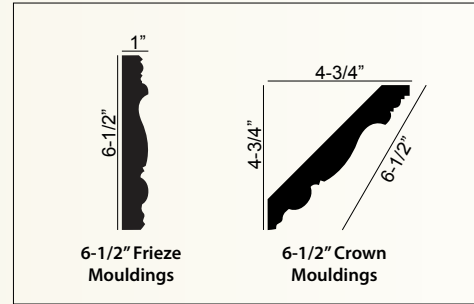


**FRIEZE**  
**42-1-430C-1-FRZ**

Top Repeat: 6-3/8"  
Bottom Repeat: 1-3/4"  
Thickness: 1"  
Width: 6-1/2"

**CROWN**  
**51-430C-1-MLD**

Top Repeat: 6-3/8"  
Bottom Repeat: 1-3/4"  
Thickness: 1"  
Width: 6-1/2"



**FRIEZE**  
**42-2-430C-2-FRZ**

Top Repeat: 6-3/8"  
Bottom Repeat: 7-1/2"  
Thickness: 1"  
Width: 6-1/2"

**CROWN**  
**51-430C-2-MLD**

Top Repeat: 6-3/8"  
Bottom Repeat: 7-1/2"  
Thickness: 1"  
Width: 6-1/2"



**FRIEZE**  
**42-3-430C-3-FRZ**

Top Repeat: 6-3/8"  
Bottom Repeat: 11-1/4"  
Thickness: 1"  
Width: 6-1/2"

**CROWN**  
**51-430C-3-MLD**

Top Repeat: 6-3/8"  
Bottom Repeat: 11-1/4"  
Thickness: 1"  
Width: 6-1/2"



**FRIEZE**  
**42-4-430C-4-FRZ**

Top Repeat: 6-3/8"  
Bottom Repeat: 4-1/2"  
Thickness: 1"  
Width: 6-1/2"

**CROWN**  
**51-430C-4-MLD**

Top Repeat: 6-3/8"  
Bottom Repeat: 4-1/2"  
Thickness: 1"  
Width: 6-1/2"



**FRIEZE**  
**42-5-430C-5-FRZ**

Top Repeat: 6-3/8"  
Bottom Repeat: 1-1/4"  
Thickness: 1"  
Width: 6-1/2"

**CROWN**  
**51-430C-5-MLD**

Top Repeat: 6-3/8"  
Bottom Repeat: 1-1/4"  
Thickness: 1"  
Width: 6-1/2"



FRIEZE & CROWN MOULDINGS

- *The Design & Detail of these mouldings are made from a mixture of polymers, contoured onto a Hardwood substrate.*
- *Can be painted with any quality latex or oil based product. When staining, use a non-penetrating gel stain.*
- *Mouldings are available in 5 ft. and 10 ft. lengths.*



**FRIEZE**  
**42-6-430C-6-FRZ**

Top Repeat: 6-3/8"  
Bottom Repeat: 7"  
Thickness: 1"  
Width: 6-1/2"

**CROWN**  
**51-430C-6-MLD**

Top Repeat: 6-3/8"  
Bottom Repeat: 7"  
Thickness: 1"  
Width: 6-1/2"



**FRIEZE**  
**42-7-430C-7-FRZ**

Top Repeat: 6-3/8"  
Bottom Repeat: 1-1/4"  
Thickness: 1"  
Width: 6-1/2"

**CROWN**  
**51-430C-7-MLD**

Top Repeat: 6-3/8"  
Bottom Repeat: 1-1/4"  
Thickness: 1"  
Width: 6-1/2"



**FRIEZE**  
**42-8-430C-8-FRZ**

Top Repeat: 6-3/8"  
Bottom Repeat: 1-1/4"  
Thickness: 1"  
Width: 6-1/2"

**CROWN**  
**51-430C-8-MLD**

Top Repeat: 6-3/8"  
Bottom Repeat: 1-1/4"  
Thickness: 1"  
Width: 6-1/2"

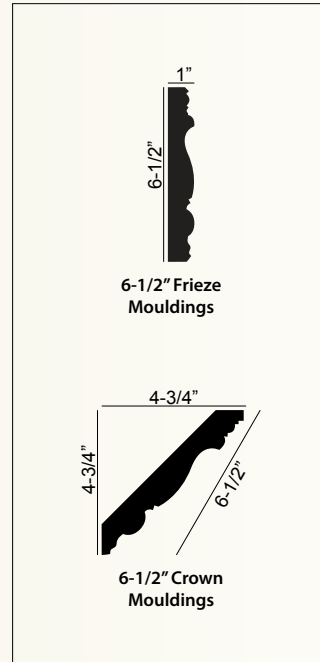


**FRIEZE**  
**42-9-430B-9-FRZ**

Top Repeat: 6-3/8"  
Bottom Repeat: 1-1/2"  
Thickness: 1"  
Width: 6-1/2"

**CROWN**  
**51-430C-9-MLD**

Top Repeat: 6-3/8"  
Bottom Repeat: 1-1/2"  
Thickness: 1"  
Width: 6-1/2"



FRIEZE & CROWN MOULDINGS

- The Design & Detail of these mouldings are made from a mixture of polymers, contoured onto a Hardwood substrate.
- Can be painted with any quality latex or oil based product. When staining, use a non-penetrating gel stain.
- Mouldings are available in 5 ft. and 10 ft. lengths.

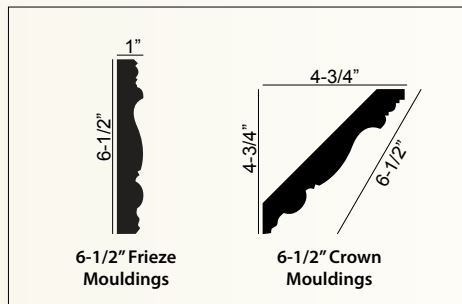


**FRIEZE**  
**42-1-430D-1-FRZ**

Top Repeat: 19"  
Bottom Repeat: 1-3/4"  
Thickness: 1"  
Width: 6-1/2"

**CROWN**  
**51-430D-1-MLD**

Top Repeat: 19"  
Bottom Repeat: 1-3/4"  
Thickness: 1"  
Width: 6-1/2"



**FRIEZE**  
**42-2-430D-2-FRZ**

Top Repeat: 19"  
Bottom Repeat: 7-1/2"  
Thickness: 1"  
Width: 6-1/2"

**CROWN**  
**51-430D-2-MLD**

Top Repeat: 19"  
Bottom Repeat: 7-1/2"  
Thickness: 1"  
Width: 6-1/2"



**FRIEZE**  
**42-3-430D-3-FRZ**

Top Repeat: 19"  
Bottom Repeat: 11-1/4"  
Thickness: 1"  
Width: 6-1/2"

**CROWN**  
**51-430D-3-MLD**

Top Repeat: 19"  
Bottom Repeat: 11-1/4"  
Thickness: 1"  
Width: 6-1/2"



**FRIEZE**  
**42-4-430D-4-FRZ**

Top Repeat: 19"  
Bottom Repeat: 4-1/2"  
Thickness: 1"  
Width: 6-1/2"

**CROWN**  
**51-430D-4-MLD**

Top Repeat: 19"  
Bottom Repeat: 4-1/2"  
Thickness: 1"  
Width: 6-1/2"



**FRIEZE**  
**42-5-430D-5-FRZ**

Top Repeat: 19"  
Bottom Repeat: 1-1/4"  
Thickness: 1"  
Width: 6-1/2"

**CROWN**  
**51-430D-5-MLD**

Top Repeat: 19"  
Bottom Repeat: 1-1/4"  
Thickness: 1"  
Width: 6-1/2"

FRIEZE & CROWN MOULDINGS

- *The Design & Detail of these mouldings are made from a mixture of polymers, contoured onto a Hardwood substrate.*
- *Can be painted with any quality latex or oil based product. When staining, use a non-penetrating gel stain.*
- *Mouldings are available in 5 ft. and 10 ft. lengths.*



**FRIEZE**  
**42-6-430D-6-FRZ**

Top Repeat: 19"  
Bottom Repeat: 7"  
Thickness: 1"  
Width: 6-1/2"

**CROWN**  
**51-430D-6-MLD**

Top Repeat: 19"  
Bottom Repeat: 7"  
Thickness: 1"  
Width: 6-1/2"



**FRIEZE**  
**42-7-430D-7-FRZ**

Top Repeat: 19"  
Bottom Repeat: 1-1/4"  
Thickness: 1"  
Width: 6-1/2"

**CROWN**  
**51-430D-7-MLD**

Top Repeat: 19"  
Bottom Repeat: 1-1/4"  
Thickness: 1"  
Width: 6-1/2"



**FRIEZE**  
**42-8-430D-8-FRZ**

Top Repeat: 19"  
Bottom Repeat: 1-1/4"  
Thickness: 1"  
Width: 6-1/2"

**CROWN**  
**51-430D-8-MLD**

Top Repeat: 19"  
Bottom Repeat: 1-1/4"  
Thickness: 1"  
Width: 6-1/2"

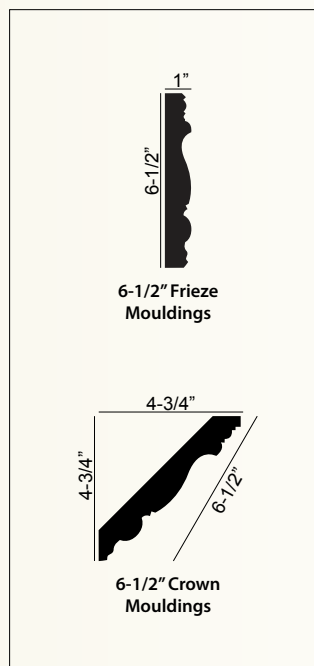


**FRIEZE**  
**42-9-430D-9-FRZ**

Top Repeat: 19"  
Bottom Repeat: 1-1/2"  
Thickness: 1"  
Width: 6-1/2"

**CROWN**  
**51-430D-9-MLD**

Top Repeat: 19"  
Bottom Repeat: 1-1/2"  
Thickness: 1"  
Width: 6-1/2"





FRIEZE & CROWN MOULDINGS



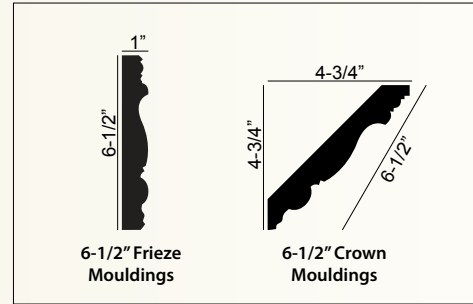
**FRIEZE**  
**42-1-430E-1-FRZ**

Top Repeat: 11"  
Bottom Repeat: 1-3/4"  
Thickness: 1"  
Width: 6-1/2"

**CROWN**  
**51-430E-1-MLD**

Top Repeat: 11"  
Bottom Repeat: 1-3/4"  
Thickness: 1"  
Width: 6-1/2"

- The Design & Detail of these mouldings are made from a mixture of polymers, contoured onto a Hardwood substrate.
- Can be painted with any quality latex or oil based product. When staining, use a non-penetrating gel stain.
- Mouldings are available in 5 ft. and 10 ft. lengths.



**FRIEZE**  
**42-2-430E-2-FRZ**

Top Repeat: 11"  
Bottom Repeat: 7-1/2"  
Thickness: 1"  
Width: 6-1/2"

**CROWN**  
**51-430E-2-MLD**

Top Repeat: 11"  
Bottom Repeat: 7-1/2"  
Thickness: 1"  
Width: 6-1/2"



**FRIEZE**  
**42-3-430E-3-FRZ**

Top Repeat: 11"  
Bottom Repeat: 11-1/4"  
Thickness: 1"  
Width: 6-1/2"

**CROWN**  
**51-430E-3-MLD**

Top Repeat: 11"  
Bottom Repeat: 11-1/4"  
Thickness: 1"  
Width: 6-1/2"



**FRIEZE**  
**42-4-430E-4-FRZ**

Top Repeat: 11"  
Bottom Repeat: 4-1/2"  
Thickness: 1"  
Width: 6-1/2"

**CROWN**  
**51-430E-4-MLD**

Top Repeat: 11"  
Bottom Repeat: 4-1/2"  
Thickness: 1"  
Width: 6-1/2"



**FRIEZE**  
**42-5-430E-5-FRZ**

Top Repeat: 11"  
Bottom Repeat: 1-1/4"  
Thickness: 1"  
Width: 6-1/2"

**CROWN**  
**51-430E-5-MLD**

Top Repeat: 11"  
Bottom Repeat: 1-1/4"  
Thickness: 1"  
Width: 6-1/2"

FRIEZE & CROWN MOULDINGS



**FRIEZE**  
42-6-430E-6-FRZ

Top Repeat: 11"  
Bottom Repeat: 7"  
Thickness: 1"  
Width: 6-1/2"

**CROWN**  
51-430E-6-MLD

Top Repeat: 11"  
Bottom Repeat: 7"  
Thickness: 1"  
Width: 6-1/2"

- The Design & Detail of these mouldings are made from a mixture of polymers, contoured onto a Hardwood substrate.
- Can be painted with any quality latex or oil based product. When staining, use a non-penetrating gel stain.
- Mouldings are available in 5 ft. and 10 ft. lengths.

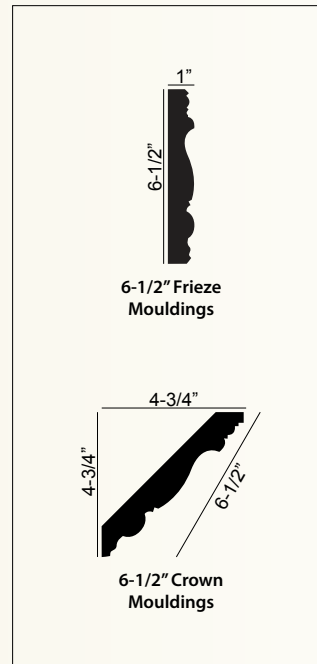


**FRIEZE**  
42-7-430E-7-FRZ

Top Repeat: 11"  
Bottom Repeat: 1-1/4"  
Thickness: 1"  
Width: 6-1/2"

**CROWN**  
51-430E-7-MLD

Top Repeat: 11"  
Bottom Repeat: 1-1/4"  
Thickness: 1"  
Width: 6-1/2"



**FRIEZE**  
42-8-430E-8-FRZ

Top Repeat: 11"  
Bottom Repeat: 1-1/4"  
Thickness: 1"  
Width: 6-1/2"

**CROWN**  
51-430E-8-MLD

Top Repeat: 11"  
Bottom Repeat: 1-1/4"  
Thickness: 1"  
Width: 6-1/2"



**FRIEZE**  
42-9-430E-9-FRZ

Top Repeat: 11"  
Bottom Repeat: 1-1/2"  
Thickness: 1"  
Width: 6-1/2"

**CROWN**  
51-430E-9-MLD

Top Repeat: 11"  
Bottom Repeat: 1-1/2"  
Thickness: 1"  
Width: 6-1/2"

FRIEZE & CROWN MOULDINGS



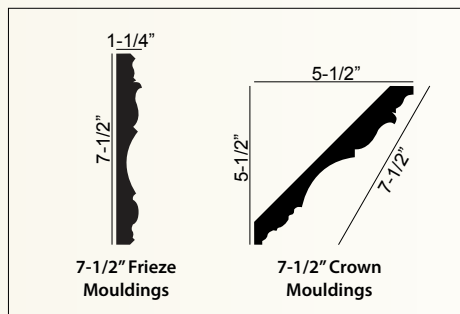
**FRIEZE**  
**42-1-440A-1-FRZ**

Top Repeat: 2-3/4"  
Bottom Repeat: 1-3/4"  
Thickness: 1-1/4"  
Width: 7-1/2"

**CROWN**  
**51-440A-1-MLD**

Top Repeat: 2-3/4"  
Bottom Repeat: 1-3/4"  
Thickness: 1-1/4"  
Width: 7-1/2"

- The Design & Detail of these mouldings are made from a mixture of polymers, contoured onto a Hardwood substrate.
- Can be painted with any quality latex or oil based product. When staining, use a non-penetrating gel stain.
- Mouldings are available in 5 ft. and 10 ft. lengths.



**FRIEZE**  
**42-2-440A-2-FRZ**

Top Repeat: 2-3/4"  
Bottom Repeat: 7-1/2"  
Thickness: 1-1/4"  
Width: 7-1/2"

**CROWN**  
**51-440A-2-MLD**

Top Repeat: 2-3/4"  
Bottom Repeat: 7-1/2"  
Thickness: 1-1/4"  
Width: 7-1/2"



**FRIEZE**  
**42-3-440A-3-FRZ**

Top Repeat: 2-3/4"  
Bottom Repeat: 11-1/4"  
Thickness: 1-1/4"  
Width: 7-1/2"

**CROWN**  
**51-440A-3-MLD**

Top Repeat: 2-3/4"  
Bottom Repeat: 11-1/4"  
Thickness: 1-1/4"  
Width: 7-1/2"



**FRIEZE**  
**42-4-440A-4-FRZ**

Top Repeat: 2-3/4"  
Bottom Repeat: 4-1/2"  
Thickness: 1-1/4"  
Width: 7-1/2"

**CROWN**  
**51-440A-4-MLD**

Top Repeat: 2-3/4"  
Bottom Repeat: 4-1/2"  
Thickness: 1-1/4"  
Width: 7-1/2"



**FRIEZE**  
**42-5-440A-5-FRZ**

Top Repeat: 2-3/4"  
Bottom Repeat: 1-1/4"  
Thickness: 1-1/4"  
Width: 7-1/2"

**CROWN**  
**51-440A-5-MLD**

Top Repeat: 2-3/4"  
Bottom Repeat: 1-1/4"  
Thickness: 1-1/4"  
Width: 7-1/2"



## FRIEZE & CROWN MOULDINGS



**FRIEZE**  
**42-6-440A-6-FRZ**

Top Repeat: 2-3/4"  
Bottom Repeat: 7"  
Thickness: 1-1/4"  
Width: 7-1/2"

**CROWN**  
**51-440A-6-MLD**

Top Repeat: 2-3/4"  
Bottom Repeat: 7"  
Thickness: 1-1/4"  
Width: 7-1/2"



**FRIEZE**  
**42-7-440A-7-FRZ**

Top Repeat: 2-3/4"  
Bottom Repeat: 1-1/4"  
Thickness: 1-1/4"  
Width: 7-1/2"

**CROWN**  
**51-440A-7-MLD**

Top Repeat: 2-3/4"  
Bottom Repeat: 1-1/4"  
Thickness: 1-1/4"  
Width: 7-1/2"



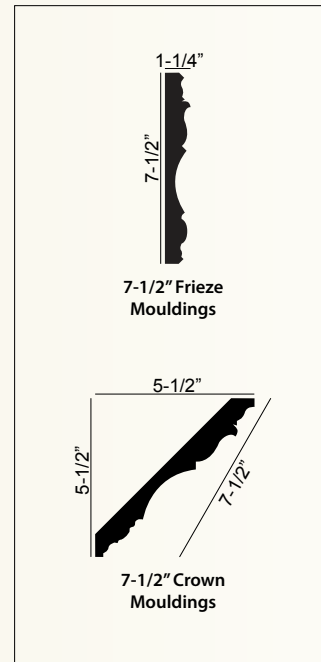
**FRIEZE**  
**42-8-440A-8-FRZ**

Top Repeat: 2-3/4"  
Bottom Repeat: 1-1/4"  
Thickness: 1-1/4"  
Width: 7-1/2"

**CROWN**  
**51-440A-8-MLD**

Top Repeat: 2-3/4"  
Bottom Repeat: 1-1/4"  
Thickness: 1-1/4"  
Width: 7-1/2"

- *The Design & Detail of these mouldings are made from a mixture of polymers, contoured onto a Hardwood substrate.*
- *Can be painted with any quality latex or oil based product. When staining, use a non-penetrating gel stain.*
- *Mouldings are available in 5 ft. and 10 ft. lengths.*



**FRIEZE**  
**42-9-440A-9-FRZ**

Top Repeat: 2-3/4"  
Bottom Repeat: 1-1/2"  
Thickness: 1-1/4"  
Width: 7-1/2"

**CROWN**  
**51-440A-9-MLD**

Top Repeat: 2-3/4"  
Bottom Repeat: 1-1/2"  
Thickness: 1-1/4"  
Width: 7-1/2"

FRIEZE & CROWN MOULDINGS



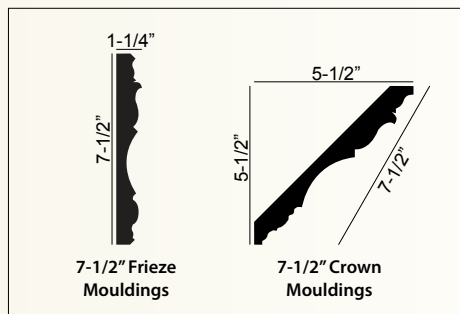
**FRIEZE**  
42-1-440B-1-FRZ

Top Repeat: 3"  
Bottom Repeat: 1-3/4"  
Thickness: 1-1/4"  
Width: 7-1/2"

**CROWN**  
51-440B-1-MLD

Top Repeat: 3"  
Bottom Repeat: 1-3/4"  
Thickness: 1-1/4"  
Width: 7-1/2"

- The Design & Detail of these mouldings are made from a mixture of polymers, contoured onto a Hardwood substrate.
- Can be painted with any quality latex or oil based product. When staining, use a non-penetrating gel stain.
- Mouldings are available in 5 ft. and 10 ft. lengths.



**FRIEZE**  
42-2-440B-2-FRZ

Top Repeat: 3"  
Bottom Repeat: 7-1/2"  
Thickness: 1-1/4"  
Width: 7-1/2"

**CROWN**  
51-440B-2-MLD

Top Repeat: 3"  
Bottom Repeat: 7-1/2"  
Thickness: 1-1/4"  
Width: 7-1/2"



**FRIEZE**  
42-3-440B-3-FRZ

Top Repeat: 3"  
Bottom Repeat: 11-1/4"  
Thickness: 1-1/4"  
Width: 7-1/2"

**CROWN**  
51-440B-3-MLD

Top Repeat: 3"  
Bottom Repeat: 11-1/4"  
Thickness: 1-1/4"  
Width: 7-1/2"



**FRIEZE**  
42-4-440B-4-FRZ

Top Repeat: 3"  
Bottom Repeat: 4-1/2"  
Thickness: 1-1/4"  
Width: 7-1/2"

**CROWN**  
51-440B-4-MLD

Top Repeat: 3"  
Bottom Repeat: 4-1/2"  
Thickness: 1-1/4"  
Width: 7-1/2"



**FRIEZE**  
42-5-440B-5-FRZ

Top Repeat: 3"  
Bottom Repeat: 1-1/4"  
Thickness: 1-1/4"  
Width: 7-1/2"

**CROWN**  
51-440B-5-MLD

Top Repeat: 3"  
Bottom Repeat: 1-1/4"  
Thickness: 1-1/4"  
Width: 7-1/2"

## FRIEZE & CROWN MOULDINGS



**FRIEZE**  
**42-6-440B-6-FRZ**

Top Repeat: 3"  
Bottom Repeat: 7"  
Thickness: 1-1/4"  
Width: 7-1/2"

**CROWN**  
**51-440B-6-MLD**

Top Repeat: 3"  
Bottom Repeat: 7"  
Thickness: 1-1/4"  
Width: 7-1/2"



**FRIEZE**  
**42-7-440B-7-FRZ**

Top Repeat: 3"  
Bottom Repeat: 1-1/4"  
Thickness: 1-1/4"  
Width: 7-1/2"

**CROWN**  
**51-440B-7-MLD**

Top Repeat: 3"  
Bottom Repeat: 1-1/4"  
Thickness: 1-1/4"  
Width: 7-1/2"



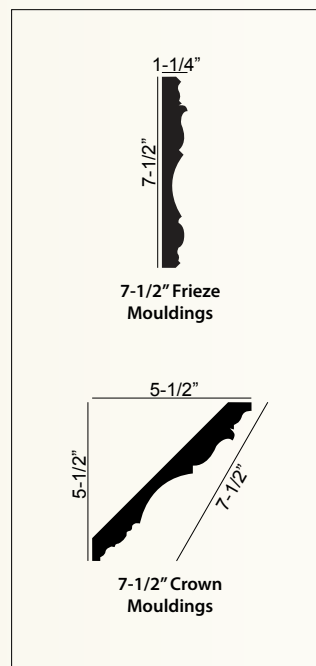
**FRIEZE**  
**42-8-440B-8-FRZ**

Top Repeat: 3"  
Bottom Repeat: 1-1/4"  
Thickness: 1-1/4"  
Width: 7-1/2"

**CROWN**  
**51-440B-8-MLD**

Top Repeat: 3"  
Bottom Repeat: 1-1/4"  
Thickness: 1-1/4"  
Width: 7-1/2"

- The Design & Detail of these mouldings are made from a mixture of polymers, contoured onto a Hardwood substrate.
- Can be painted with any quality latex or oil based product. When staining, use a non-penetrating gel stain.
- Mouldings are available in 5 ft. and 10 ft. lengths.



**FRIEZE**  
**42-9-440B-9-FRZ**

Top Repeat: 3"  
Bottom Repeat: 1-1/2"  
Thickness: 1-1/4"  
Width: 7-1/2"

**CROWN**  
**51-440B-9-MLD**

Top Repeat: 3"  
Bottom Repeat: 1-1/2"  
Thickness: 1-1/4"  
Width: 7-1/2"



FRIEZE & CROWN MOULDINGS



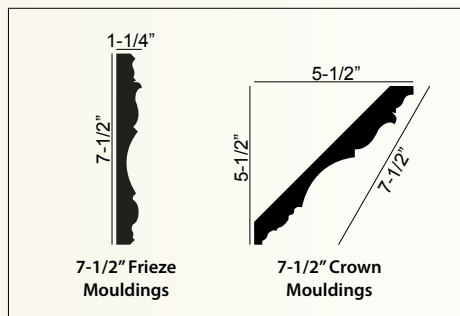
**FRIEZE**  
**42-1-440C-1-FRZ**

Top Repeat: 3-3/4"  
Bottom Repeat: 1-3/4"  
Thickness: 1-1/4"  
Width: 7-1/2"

**CROWN**  
**51-440C-1-MLD**

Top Repeat: 3-3/4"  
Bottom Repeat: 1-3/4"  
Thickness: 1-1/4"  
Width: 7-1/2"

- The Design & Detail of these mouldings are made from a mixture of polymers, contoured onto a Hardwood substrate.
- Can be painted with any quality latex or oil based product. When staining, use a non-penetrating gel stain.
- Mouldings are available in 5 ft. and 10 ft. lengths.



**FRIEZE**  
**42-2-440C-2-FRZ**

Top Repeat: 3-3/4"  
Bottom Repeat: 7-1/2"  
Thickness: 1-1/4"  
Width: 7-1/2"

**CROWN**  
**51-440C-2-MLD**

Top Repeat: 3-3/4"  
Bottom Repeat: 7-1/2"  
Thickness: 1-1/4"  
Width: 7-1/2"



**FRIEZE**  
**42-3-440C-3-FRZ**

Top Repeat: 3-3/4"  
Bottom Repeat: 11-1/4"  
Thickness: 1-1/4"  
Width: 7-1/2"

**CROWN**  
**51-440C-3-MLD**

Top Repeat: 3-3/4"  
Bottom Repeat: 11-1/4"  
Thickness: 1-1/4"  
Width: 7-1/2"



**FRIEZE**  
**42-4-440C-4-FRZ**

Top Repeat: 3-3/4"  
Bottom Repeat: 4-1/2"  
Thickness: 1-1/4"  
Width: 7-1/2"

**CROWN**  
**51-440C-4-MLD**

Top Repeat: 3-3/4"  
Bottom Repeat: 4-1/2"  
Thickness: 1-1/4"  
Width: 7-1/2"



**FRIEZE**  
**42-5-440C-5-FRZ**

Top Repeat: 3-3/4"  
Bottom Repeat: 1-1/4"  
Thickness: 1-1/4"  
Width: 7-1/2"

**CROWN**  
**51-440C-5-MLD**

Top Repeat: 3-3/4"  
Bottom Repeat: 1-1/4"  
Thickness: 1-1/4"  
Width: 7-1/2"

FRIEZE & CROWN MOULDINGS



**FRIEZE**  
**42-6-440C-6-FRZ**

Top Repeat: 3-3/4"  
Bottom Repeat: 7"  
Thickness: 1-1/4"  
Width: 7-1/2"

**CROWN**  
**51-440C-6-MLD**

Top Repeat: 3-3/4"  
Bottom Repeat: 7"  
Thickness: 1-1/4"  
Width: 7-1/2"



**FRIEZE**  
**42-7-440C-7-FRZ**

Top Repeat: 3-3/4"  
Bottom Repeat: 1-1/4"  
Thickness: 1-1/4"  
Width: 7-1/2"

**CROWN**  
**51-440C-7-MLD**

Top Repeat: 3-3/4"  
Bottom Repeat: 1-1/4"  
Thickness: 1-1/4"  
Width: 7-1/2"



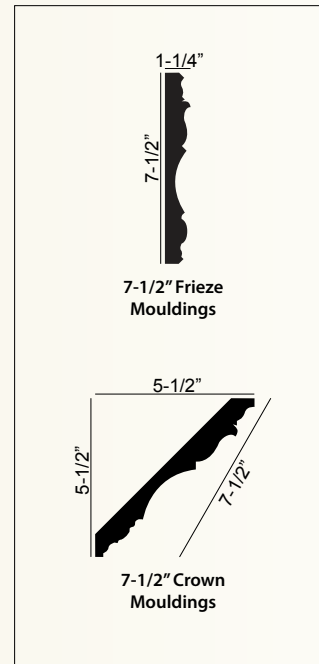
**FRIEZE**  
**42-8-440C-8-FRZ**

Top Repeat: 3-3/4"  
Bottom Repeat: 1-1/4"  
Thickness: 1-1/4"  
Width: 7-1/2"

**CROWN**  
**51-440C-8-MLD**

Top Repeat: 3-3/4"  
Bottom Repeat: 1-1/4"  
Thickness: 1-1/4"  
Width: 7-1/2"

- The Design & Detail of these mouldings are made from a mixture of polymers, contoured onto a Hardwood substrate.
- Can be painted with any quality latex or oil based product. When staining, use a non-penetrating gel stain.
- Mouldings are available in 5 ft. and 10 ft. lengths.



**FRIEZE**  
**42-9-440C-9-FRZ**

Top Repeat: 3-3/4"  
Bottom Repeat: 1-1/2"  
Thickness: 1-1/4"  
Width: 7-1/2"

**CROWN**  
**51-440C-9-MLD**

Top Repeat: 3-3/4"  
Bottom Repeat: 1-1/2"  
Thickness: 1-1/4"  
Width: 7-1/2"

FRIEZE & CROWN MOULDINGS

- The Design & Detail of these mouldings are made from a mixture of polymers, contoured onto a Hardwood substrate.
- Can be painted with any quality latex or oil based product. When staining, use a non-penetrating gel stain.
- Mouldings are available in 5 ft. and 10 ft. lengths.

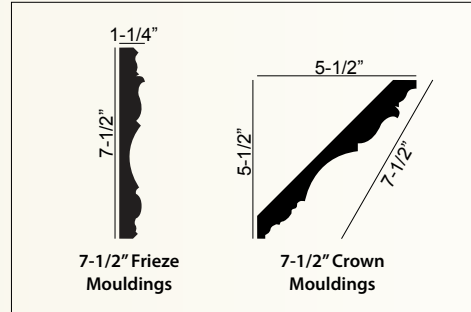


**FRIEZE**  
**42-1-440D-1-FRZ**

Top Repeat: 10-1/2"  
Bottom Repeat: 1-3/4"  
Thickness: 1-1/4"  
Width: 7-1/2"

**CROWN**  
**51-440D-1-MLD**

Top Repeat: 10-1/2"  
Bottom Repeat: 1-3/4"  
Thickness: 1-1/4"  
Width: 7-1/2"



**FRIEZE**  
**42-2-440D-2-FRZ**

Top Repeat: 10-1/2"  
Bottom Repeat: 7-1/2"  
Thickness: 1-1/4"  
Width: 7-1/2"

**CROWN**  
**51-440D-2-MLD**

Top Repeat: 10-1/2"  
Bottom Repeat: 7-1/2"  
Thickness: 1-1/4"  
Width: 7-1/2"



**FRIEZE**  
**42-3-440D-3-FRZ**

Top Repeat: 10-1/2"  
Bottom Repeat: 11-1/4"  
Thickness: 1-1/4"  
Width: 7-1/2"

**CROWN**  
**51-440D-3-MLD**

Top Repeat: 10-1/2"  
Bottom Repeat: 11-1/4"  
Thickness: 1-1/4"  
Width: 7-1/2"



**FRIEZE**  
**42-4-440D-4-FRZ**

Top Repeat: 10-1/2"  
Bottom Repeat: 4-1/2"  
Thickness: 1-1/4"  
Width: 7-1/2"

**CROWN**  
**51-440D-4-MLD**

Top Repeat: 10-1/2"  
Bottom Repeat: 4-1/2"  
Thickness: 1-1/4"  
Width: 7-1/2"



**FRIEZE**  
**42-5-440D-5-FRZ**

Top Repeat: 10-1/2"  
Bottom Repeat: 1-1/4"  
Thickness: 1-1/4"  
Width: 7-1/2"

**CROWN**  
**51-440D-5-MLD**

Top Repeat: 10-1/2"  
Bottom Repeat: 1-1/4"  
Thickness: 1-1/4"  
Width: 7-1/2"



FRIEZE & CROWN MOULDINGS



**FRIEZE**  
**42-6-440D-6-FRZ**

Top Repeat: 10-1/2"  
Bottom Repeat: 7"  
Thickness: 1-1/4"  
Width: 7-1/2"

**CROWN**  
**51-440D-6-MLD**

Top Repeat: 10-1/2"  
Bottom Repeat: 7"  
Thickness: 1-1/4"  
Width: 7-1/2"



**FRIEZE**  
**42-7-440D-7-FRZ**

Top Repeat: 10-1/2"  
Bottom Repeat: 1-1/4"  
Thickness: 1-1/4"  
Width: 7-1/2"

**CROWN**  
**51-440D-7-MLD**

Top Repeat: 10-1/2"  
Bottom Repeat: 1-1/4"  
Thickness: 1-1/4"  
Width: 7-1/2"



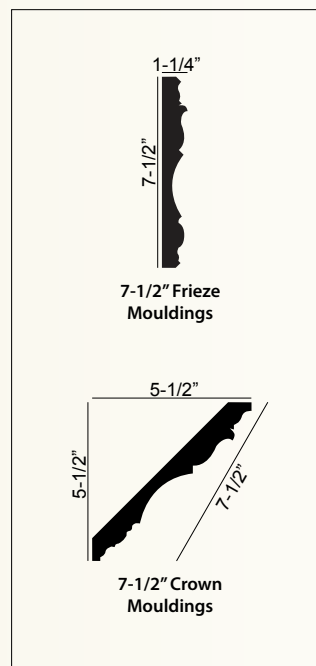
**FRIEZE**  
**42-8-440D-8-FRZ**

Top Repeat: 10-1/2"  
Bottom Repeat: 1-1/4"  
Thickness: 1-1/4"  
Width: 7-1/2"

**CROWN**  
**51-440D-8-MLD**

Top Repeat: 10-1/2"  
Bottom Repeat: 1-1/4"  
Thickness: 1-1/4"  
Width: 7-1/2"

- The Design & Detail of these mouldings are made from a mixture of polymers, contoured onto a Hardwood substrate.
- Can be painted with any quality latex or oil based product. When staining, use a non-penetrating gel stain.
- Mouldings are available in 5 ft. and 10 ft. lengths.



**FRIEZE**  
**42-9-440D-9-FRZ**

Top Repeat: 10-1/2"  
Bottom Repeat: 1-1/2"  
Thickness: 1-1/4"  
Width: 7-1/2"

**CROWN**  
**51-440D-9-MLD**

Top Repeat: 10-1/2"  
Bottom Repeat: 1-1/2"  
Thickness: 1-1/4"  
Width: 7-1/2"

FRIEZE & CROWN MOULDINGS



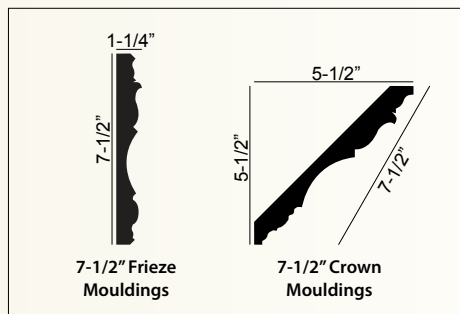
**FRIEZE**  
**42-1-440E-1-FRZ**

Top Repeat: 8"  
Bottom Repeat: 1-3/4"  
Thickness: 1-1/4"  
Width: 7-1/2"

**CROWN**  
**51-440E-1-MLD**

Top Repeat: 8"  
Bottom Repeat: 1-3/4"  
Thickness: 1-1/4"  
Width: 7-1/2"

- The Design & Detail of these mouldings are made from a mixture of polymers, contoured onto a Hardwood substrate.
- Can be painted with any quality latex or oil based product. When staining, use a non-penetrating gel stain.
- Mouldings are available in 5 ft. and 10 ft. lengths.



**FRIEZE**  
**42-2-440E-2-FRZ**

Top Repeat: 8"  
Bottom Repeat: 7-1/2"  
Thickness: 1-1/4"  
Width: 7-1/2"

**CROWN**  
**51-440E-2-MLD**

Top Repeat: 8"  
Bottom Repeat: 7-1/2"  
Thickness: 1-1/4"  
Width: 7-1/2"



**FRIEZE**  
**42-3-440E-3-FRZ**

Top Repeat: 8"  
Bottom Repeat: 11-1/4"  
Thickness: 1-1/4"  
Width: 7-1/2"

**CROWN**  
**51-440E-3-MLD**

Top Repeat: 8"  
Bottom Repeat: 11-1/4"  
Thickness: 1-1/4"  
Width: 7-1/2"



**FRIEZE**  
**42-4-440E-4-FRZ**

Top Repeat: 8"  
Bottom Repeat: 4-1/2"  
Thickness: 1-1/4"  
Width: 7-1/2"

**CROWN**  
**51-440E-4-MLD**

Top Repeat: 8"  
Bottom Repeat: 4-1/2"  
Thickness: 1-1/4"  
Width: 7-1/2"



**FRIEZE**  
**42-5-440E-5-FRZ**

Top Repeat: 8"  
Bottom Repeat: 1-1/4"  
Thickness: 1-1/4"  
Width: 7-1/2"

**CROWN**  
**51-440E-5-MLD**

Top Repeat: 8"  
Bottom Repeat: 1-1/4"  
Thickness: 1-1/4"  
Width: 7-1/2"

FRIEZE & CROWN MOULDINGS



**FRIEZE**  
**42-6-440E-6-FRZ**

Top Repeat: 8"  
Bottom Repeat: 7"  
Thickness: 1-1/4"  
Width: 7-1/2"

**CROWN**  
**51-440E-6-MLD**

Top Repeat: 8"  
Bottom Repeat: 7"  
Thickness: 1-1/4"  
Width: 7-1/2"



**FRIEZE**  
**42-7-440E-7-FRZ**

Top Repeat: 8"  
Bottom Repeat: 1-1/4"  
Thickness: 1-1/4"  
Width: 7-1/2"

**CROWN**  
**51-440E-7-MLD**

Top Repeat: 8"  
Bottom Repeat: 1-1/4"  
Thickness: 1-1/4"  
Width: 7-1/2"



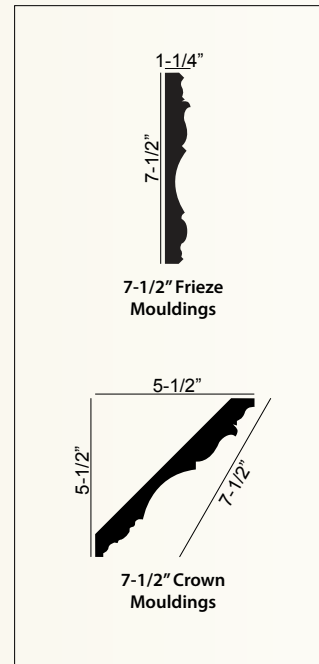
**FRIEZE**  
**42-8-440E-8-FRZ**

Top Repeat: 8"  
Bottom Repeat: 1-1/4"  
Thickness: 1-1/4"  
Width: 7-1/2"

**CROWN**  
**51-440E-8-MLD**

Top Repeat: 8"  
Bottom Repeat: 1-1/4"  
Thickness: 1-1/4"  
Width: 7-1/2"

- The Design & Detail of these mouldings are made from a mixture of polymers, contoured onto a Hardwood substrate.
- Can be painted with any quality latex or oil based product. When staining, use a non-penetrating gel stain.
- Mouldings are available in 5 ft. and 10 ft. lengths.



**FRIEZE**  
**42-9-440E-9-FRZ**

Top Repeat: 8"  
Bottom Repeat: 1-1/2"  
Thickness: 1-1/4"  
Width: 7-1/2"

**CROWN**  
**51-440E-9-MLD**

Top Repeat: 8"  
Bottom Repeat: 1-1/2"  
Thickness: 1-1/4"  
Width: 7-1/2"



FRIEZE & CROWN MOULDINGS



**FRIEZE**  
**42-1-480A-1-FRZ**

Top Repeat: 5-1/4"  
Bottom Repeat: 2-1/2"  
Thickness: 1-1/2"  
Width: 10"

**CROWN**  
**51-480A-1-MLD**

Top Repeat: 5-1/4"  
Bottom Repeat: 2-1/2"  
Thickness: 1-1/2"  
Width: 10"



**FRIEZE**  
**42-2-480A-2-FRZ**

Top Repeat: 5-1/4"  
Bottom Repeat: 11-1/2"  
Thickness: 1-1/2"  
Width: 10"

**CROWN**  
**51-480A-2-MLD**

Top Repeat: 5-1/4"  
Bottom Repeat: 11-1/2"  
Thickness: 1-1/2"  
Width: 10"



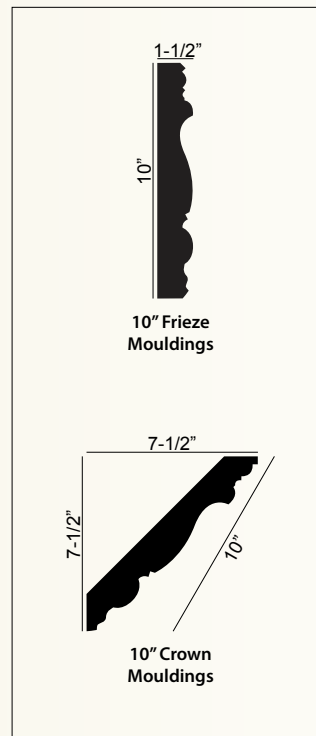
**FRIEZE**  
**42-3-480A-3-FRZ**

Top Repeat: 5-1/4"  
Bottom Repeat: 16-1/2"  
Thickness: 1-1/2"  
Width: 10"

**CROWN**  
**51-480A-3-MLD**

Top Repeat: 5-1/4"  
Bottom Repeat: 16-1/2"  
Thickness: 1-1/2"  
Width: 10"

- The Design & Detail of these mouldings are made from a mixture of polymers, contoured onto a Hardwood substrate.
- Can be painted with any quality latex or oil based product. When staining, use a non-penetrating gel stain.
- Mouldings are available in 5 ft. and 10 ft. lengths.



**FRIEZE**  
**42-4-480A-4-FRZ**

Top Repeat: 5-1/4"  
Bottom Repeat: 5-1/4"  
Thickness: 1-1/2"  
Width: 10"

**CROWN**  
**51-480A-4-MLD**

Top Repeat: 5-1/4"  
Bottom Repeat: 5-1/4"  
Thickness: 1-1/2"  
Width: 10"

## FRIEZE & CROWN MOULDINGS



**FRIEZE**  
**42-5-480A-5-FRZ**

Top Repeat: 5-1/4"  
Bottom Repeat: 2"  
Thickness: 1-1/2"  
Width: 10"

**CROWN**  
**51-480A-5-MLD**

Top Repeat: 5-1/4"  
Bottom Repeat: 2"  
Thickness: 1-1/2"  
Width: 10"



**FRIEZE**  
**42-6-480A-6-FRZ**

Top Repeat: 5-1/4"  
Bottom Repeat: 12"  
Thickness: 1-1/2"  
Width: 10"

**CROWN**  
**51-480A-6-MLD**

Top Repeat: 5-1/4"  
Bottom Repeat: 12"  
Thickness: 1-1/2"  
Width: 10"



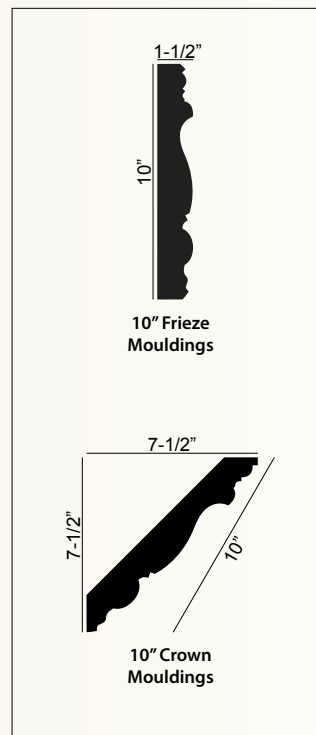
**FRIEZE**  
**42-7-480A-7-FRZ**

Top Repeat: 5-1/4"  
Bottom Repeat: 2"  
Thickness: 1-1/2"  
Width: 10"

**CROWN**  
**51-480A-7-MLD**

Top Repeat: 5-1/4"  
Bottom Repeat: 2"  
Thickness: 1-1/2"  
Width: 10"

- *The Design & Detail of these mouldings are made from a mixture of polymers, contoured onto a Hardwood substrate.*
- *Can be painted with any quality latex or oil based product. When staining, use a non-penetrating gel stain.*
- *Mouldings are available in 5 ft. and 10 ft. lengths.*



**FRIEZE**  
**42-8-480A-8-FRZ**

Top Repeat: 5-1/4"  
Bottom Repeat: 2-1/4"  
Thickness: 1-1/2"  
Width: 10"

**CROWN**  
**51-480A-8-MLD**

Top Repeat: 5-1/4"  
Bottom Repeat: 2-1/4"  
Thickness: 1-1/2"  
Width: 10"

FRIEZE & CROWN MOULDINGS



**FRIEZE**  
**42-480B-1-FRZ**

Top Repeat: 6-1/2"  
Bottom Repeat: 2-1/2"  
Thickness: 1-1/2"  
Width: 10"

**CROWN**  
**51-480B-1-MLD**

Top Repeat: 6-1/2"  
Bottom Repeat: 2-1/2"  
Thickness: 1-1/2"  
Width: 10"



**FRIEZE**  
**42-480B-2-FRZ**

Top Repeat: 6-1/2"  
Bottom Repeat: 11-1/2"  
Thickness: 1-1/2"  
Width: 10"

**CROWN**  
**51-480B-2-MLD**

Top Repeat: 6-1/2"  
Bottom Repeat: 11-1/2"  
Thickness: 1-1/2"  
Width: 10"



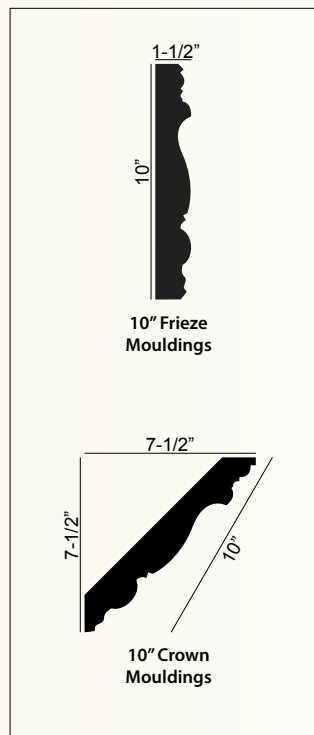
**FRIEZE**  
**42-480B-3-FRZ**

Top Repeat: 6-1/2"  
Bottom Repeat: 16-1/2"  
Thickness: 1-1/2"  
Width: 10"

**CROWN**  
**51-480B-3-MLD**

Top Repeat: 6-1/2"  
Bottom Repeat: 16-1/2"  
Thickness: 1-1/2"  
Width: 10"

- The Design & Detail of these mouldings are made from a mixture of polymers, contoured onto a Hardwood substrate.
- Can be painted with any quality latex or oil based product. When staining, use a non-penetrating gel stain.
- Mouldings are available in 5 ft. and 10 ft. lengths.



**FRIEZE**  
**42-480B-4-FRZ**

Top Repeat: 6-1/2"  
Bottom Repeat: 5-1/4"  
Thickness: 1-1/2"  
Width: 10"

**CROWN**  
**51-480B-4-MLD**

Top Repeat: 6-1/2"  
Bottom Repeat: 5-1/4"  
Thickness: 1-1/2"  
Width: 10"



FRIEZE & CROWN MOULDINGS



**FRIEZE**  
**42-480B-5-FRZ**

Top Repeat: 6-1/2"  
Bottom Repeat: 2"  
Thickness: 1-1/2"  
Width: 10"

**CROWN**  
**51-480B-5-MLD**

Top Repeat: 6-1/2"  
Bottom Repeat: 2"  
Thickness: 1-1/2"  
Width: 10"



**FRIEZE**  
**42-480B-6-FRZ**

Top Repeat: 6-1/2"  
Bottom Repeat: 12"  
Thickness: 1-1/2"  
Width: 10"

**CROWN**  
**51-480B-6-MLD**

Top Repeat: 6-1/2"  
Bottom Repeat: 12"  
Thickness: 1-1/2"  
Width: 10"



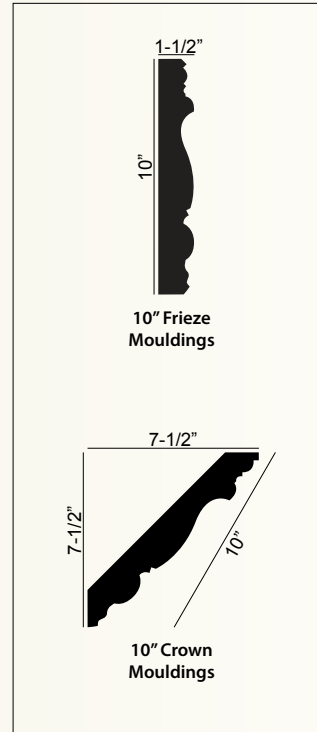
**FRIEZE**  
**42-480B-7-FRZ**

Top Repeat: 6-1/2"  
Bottom Repeat: 2"  
Thickness: 1-1/2"  
Width: 10"

**CROWN**  
**51-480B-7-MLD**

Top Repeat: 6-1/2"  
Bottom Repeat: 2"  
Thickness: 1-1/2"  
Width: 10"

- The Design & Detail of these mouldings are made from a mixture of polymers, contoured onto a Hardwood substrate.
- Can be painted with any quality latex or oil based product. When staining, use a non-penetrating gel stain.
- Mouldings are available in 5 ft. and 10 ft. lengths.



**FRIEZE**  
**42-480B-8-FRZ**

Top Repeat: 6-1/2"  
Bottom Repeat: 2-1/4"  
Thickness: 1-1/2"  
Width: 10"

**CROWN**  
**51-480B-8-MLD**

Top Repeat: 6-1/2"  
Bottom Repeat: 2-1/4"  
Thickness: 1-1/2"  
Width: 10"

FRIEZE & CROWN MOULDINGS



**FRIEZE**  
**42-480C-1-FRZ**

Top Repeat: 7-1/4"  
Bottom Repeat: 2-1/2"  
Thickness: 1-1/2"  
Width: 10"

**CROWN**  
**51-480C-1-MLD**

Top Repeat: 7-1/4"  
Bottom Repeat: 2-1/2"  
Thickness: 1-1/2"  
Width: 10"

- The Design & Detail of these mouldings are made from a mixture of polymers, contoured onto a Hardwood substrate.
- Can be painted with any quality latex or oil based product. When staining, use a non-penetrating gel stain.
- Mouldings are available in 5 ft. and 10 ft. lengths.

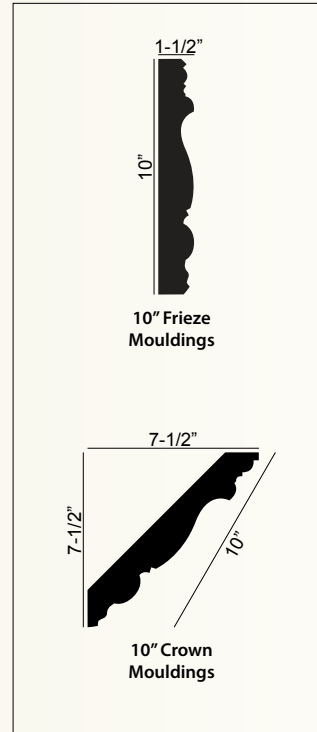


**FRIEZE**  
**42-480C-2-FRZ**

Top Repeat: 7-1/4"  
Bottom Repeat: 11-1/2"  
Thickness: 1-1/2"  
Width: 10"

**CROWN**  
**51-480C-2-MLD**

Top Repeat: 7-1/4"  
Bottom Repeat: 11-1/2"  
Thickness: 1-1/2"  
Width: 10"



**FRIEZE**  
**42-480C-3-FRZ**

Top Repeat: 7-1/4"  
Bottom Repeat: 16-1/2"  
Thickness: 1-1/2"  
Width: 10"

**CROWN**  
**51-480C-3-MLD**

Top Repeat: 7-1/4"  
Bottom Repeat: 16-1/2"  
Thickness: 1-1/2"  
Width: 10"



**FRIEZE**  
**42-480C-4-FRZ**

Top Repeat: 7-1/4"  
Bottom Repeat: 5-1/4"  
Thickness: 1-1/2"  
Width: 10"

**CROWN**  
**51-480C-4-MLD**

Top Repeat: 7-1/4"  
Bottom Repeat: 5-1/4"  
Thickness: 1-1/2"  
Width: 10"

## FRIEZE & CROWN MOULDINGS



**FRIEZE**  
**42-480C-5-FRZ**

Top Repeat: 7-1/4"  
Bottom Repeat: 2"  
Thickness: 1-1/2"  
Width: 10"

**CROWN**  
**51-480C-5-MLD**

Top Repeat: 7-1/4"  
Bottom Repeat: 2"  
Thickness: 1-1/2"  
Width: 10"



**FRIEZE**  
**42-480C-6-FRZ**

Top Repeat: 7-1/4"  
Bottom Repeat: 12"  
Thickness: 1-1/2"  
Width: 10"

**CROWN**  
**51-480C-6-MLD**

Top Repeat: 7-1/4"  
Bottom Repeat: 12"  
Thickness: 1-1/2"  
Width: 10"



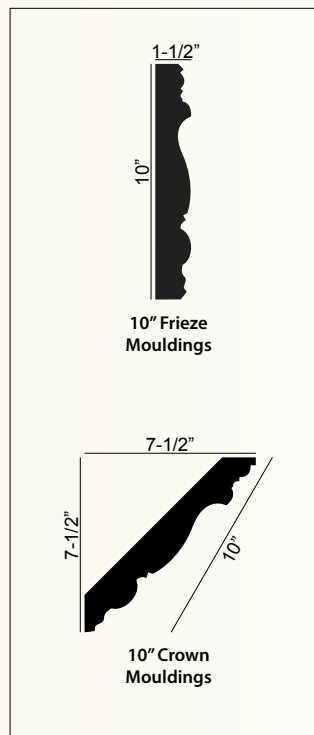
**FRIEZE**  
**42-480C-7-FRZ**

Top Repeat: 7-1/4"  
Bottom Repeat: 2"  
Thickness: 1-1/2"  
Width: 10"

**CROWN**  
**51-480C-7-MLD**

Top Repeat: 7-1/4"  
Bottom Repeat: 2"  
Thickness: 1-1/2"  
Width: 10"

- The Design & Detail of these mouldings are made from a mixture of polymers, contoured onto a Hardwood substrate.
- Can be painted with any quality latex or oil based product. When staining, use a non-penetrating gel stain.
- Mouldings are available in 5 ft. and 10 ft. lengths.



**FRIEZE**  
**42-480C-8-FRZ**

Top Repeat: 7-1/4"  
Bottom Repeat: 2-1/4"  
Thickness: 1-1/2"  
Width: 10"

**CROWN**  
**51-480C-8-MLD**

Top Repeat: 7-1/4"  
Bottom Repeat: 2-1/4"  
Thickness: 1-1/2"  
Width: 10"



FRIEZE & CROWN MOULDINGS



**FRIEZE**  
**42-480E-1-FRZ**

Top Repeat: 11"  
Bottom Repeat: 2-1/2"  
Thickness: 1-1/2"  
Width: 10"

**CROWN**  
**51-480E-1-MLD**

Top Repeat: 11"  
Bottom Repeat: 2-1/2"  
Thickness: 1-1/2"  
Width: 10"



**FRIEZE**  
**42-480E-2-FRZ**

Top Repeat: 11"  
Bottom Repeat: 11-1/2"  
Thickness: 1-1/2"  
Width: 10"

**CROWN**  
**51-480E-2-MLD**

Top Repeat: 11"  
Bottom Repeat: 11-1/2"  
Thickness: 1-1/2"  
Width: 10"



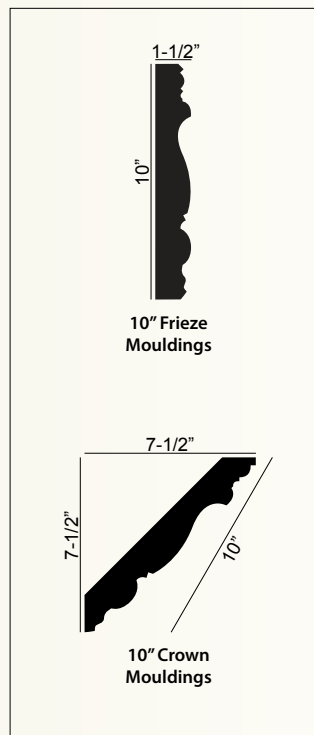
**FRIEZE**  
**42-480E-3-FRZ**

Top Repeat: 11"  
Bottom Repeat: 16-1/2"  
Thickness: 1-1/2"  
Width: 10"

**CROWN**  
**51-480E-3-MLD**

Top Repeat: 11"  
Bottom Repeat: 16-1/2"  
Thickness: 1-1/2"  
Width: 10"

- The Design & Detail of these mouldings are made from a mixture of polymers, contoured onto a Hardwood substrate.
- Can be painted with any quality latex or oil based product. When staining, use a non-penetrating gel stain.
- Mouldings are available in 5 ft. and 10 ft. lengths.



**FRIEZE**  
**42-480E-4-FRZ**

Top Repeat: 11"  
Bottom Repeat: 5-1/4"  
Thickness: 1-1/2"  
Width: 10"

**CROWN**  
**51-480E-4-MLD**

Top Repeat: 11"  
Bottom Repeat: 5-1/4"  
Thickness: 1-1/2"  
Width: 10"

FRIEZE & CROWN MOULDINGS



**FRIEZE**  
**42-480E-5-FRZ**

Top Repeat: 11"  
Bottom Repeat: 2"  
Thickness: 1-1/2"  
Width: 10"

**CROWN**  
**51-480E-5-MLD**

Top Repeat: 11"  
Bottom Repeat: 2"  
Thickness: 1-1/2"  
Width: 10"



**FRIEZE**  
**42-480E-6-FRZ**

Top Repeat: 11"  
Bottom Repeat: 12"  
Thickness: 1-1/2"  
Width: 10"

**CROWN**  
**51-480E-6-MLD**

Top Repeat: 11"  
Bottom Repeat: 12"  
Thickness: 1-1/2"  
Width: 10"



**FRIEZE**  
**42-480E-7-FRZ**

Top Repeat: 11"  
Bottom Repeat: 2"  
Thickness: 1-1/2"  
Width: 10"

**CROWN**  
**51-480E-7-MLD**

Top Repeat: 11"  
Bottom Repeat: 2"  
Thickness: 1-1/2"  
Width: 10"



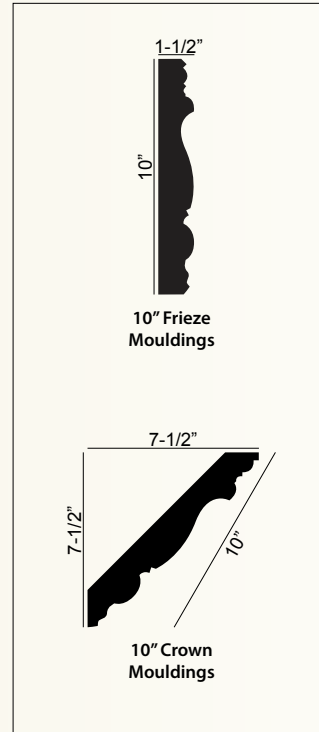
**FRIEZE**  
**42-480E-8-FRZ**

Top Repeat: 11"  
Bottom Repeat: 2-1/4"  
Thickness: 1-1/2"  
Width: 10"

**CROWN**  
**51-480E-8-MLD**

Top Repeat: 11"  
Bottom Repeat: 2-1/4"  
Thickness: 1-1/2"  
Width: 10"

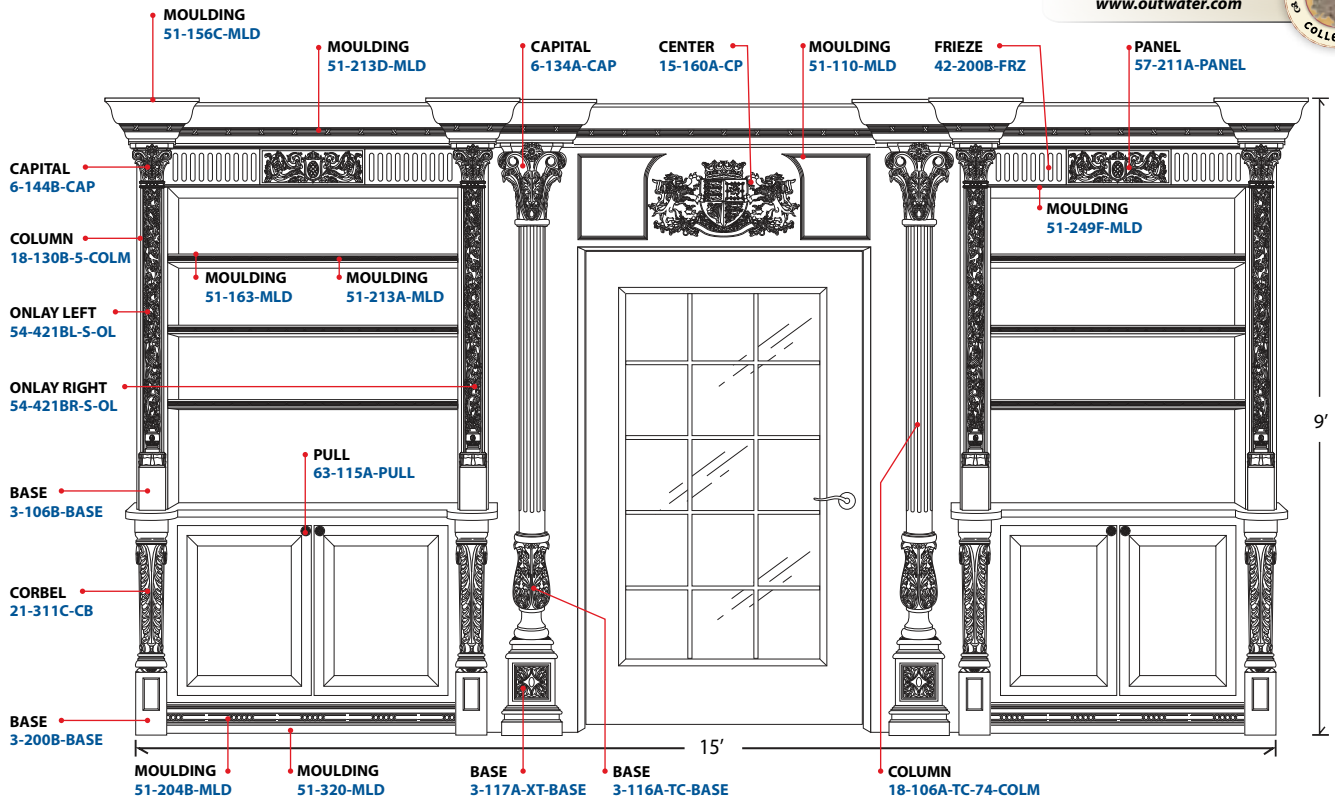
- The Design & Detail of these mouldings are made from a mixture of polymers, contoured onto a Hardwood substrate.
- Can be painted with any quality latex or oil based product. When staining, use a non-penetrating gel stain.
- Mouldings are available in 5 ft. and 10 ft. lengths.



All sizes are approximate



See the full line at [www.outwater.com](http://www.outwater.com)

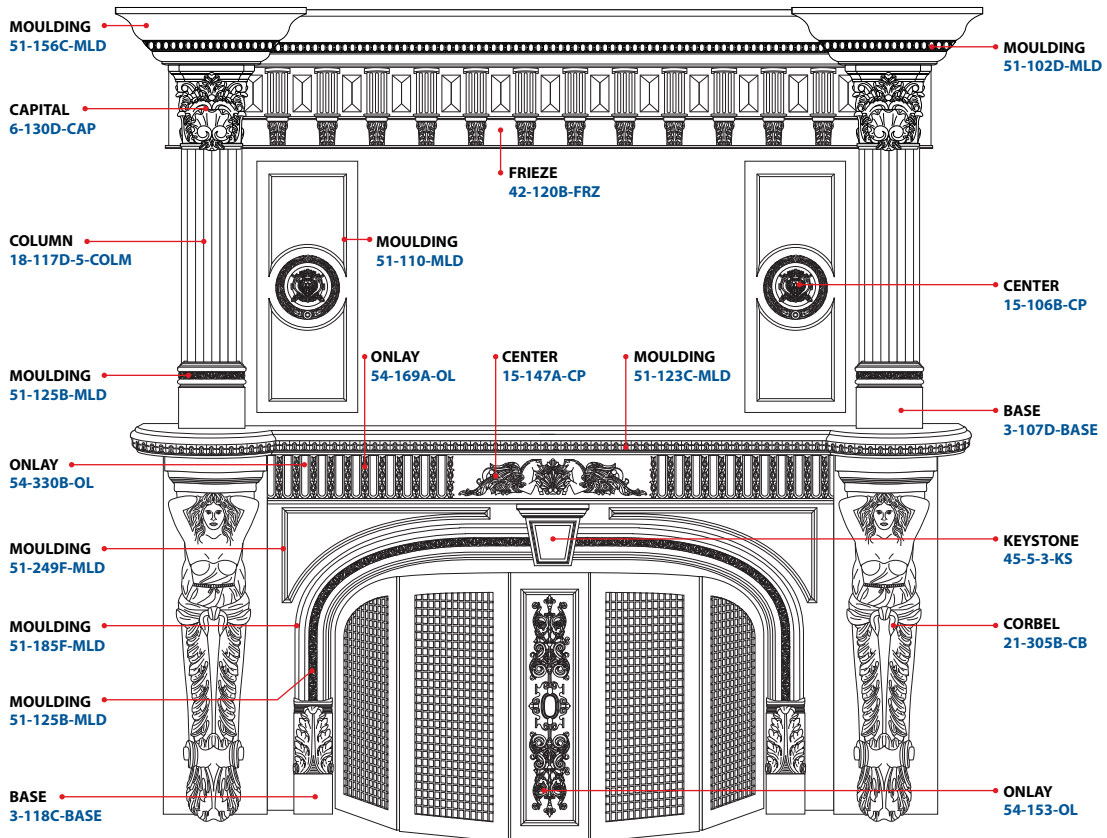




All sizes are approximate



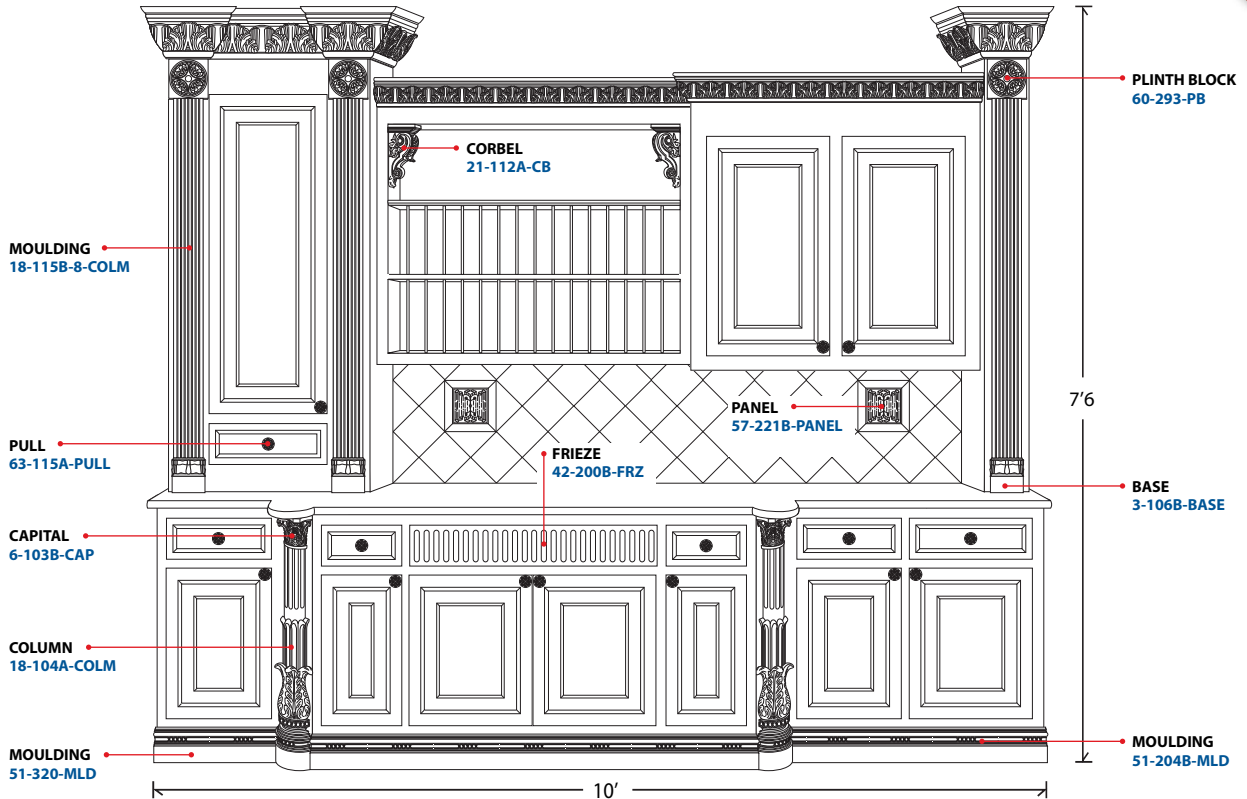
See the full line at [www.outwater.com](http://www.outwater.com)



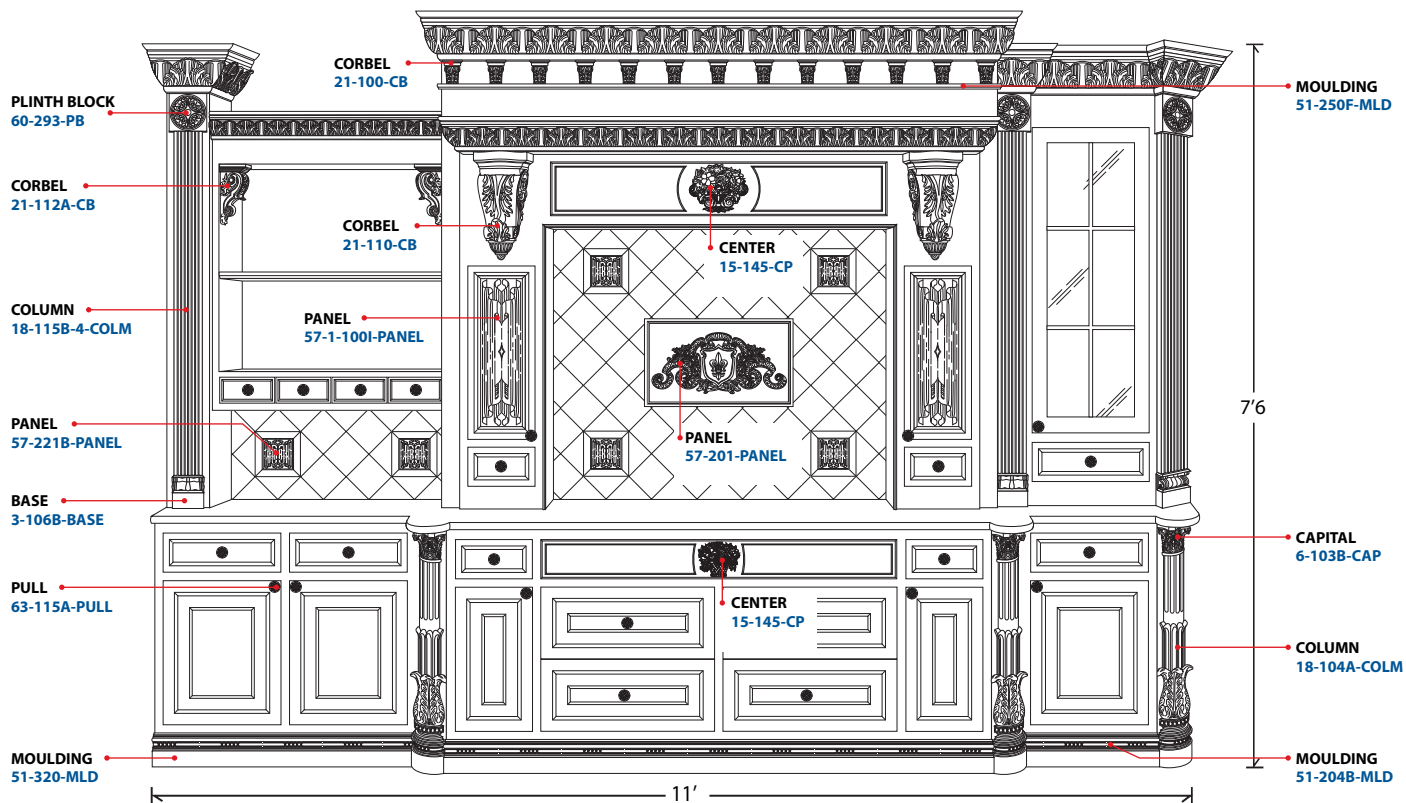
All sizes are approximate



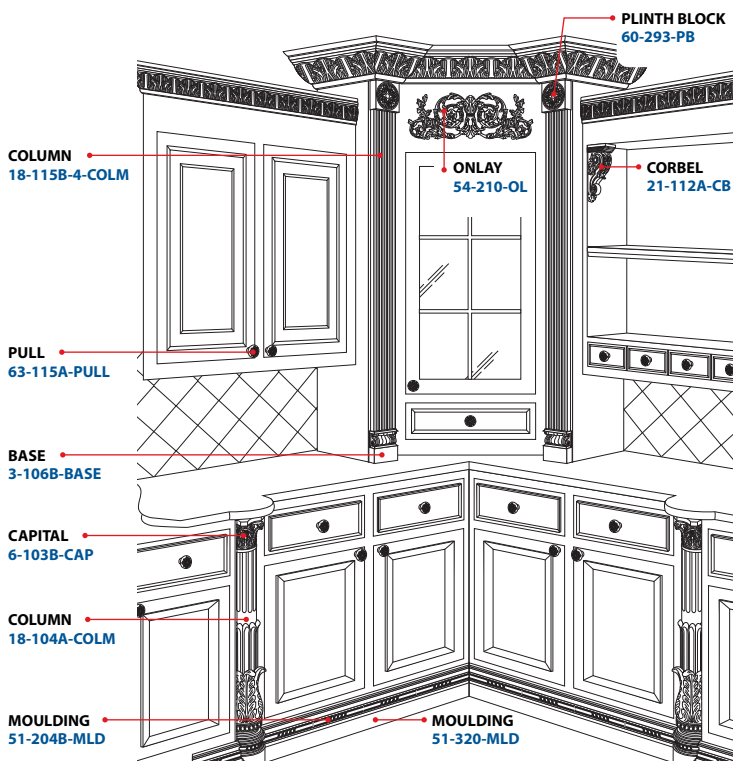
See the full line at [www.outwater.com](http://www.outwater.com)



All sizes are approximate



See the full line at [www.outwater.com](http://www.outwater.com)

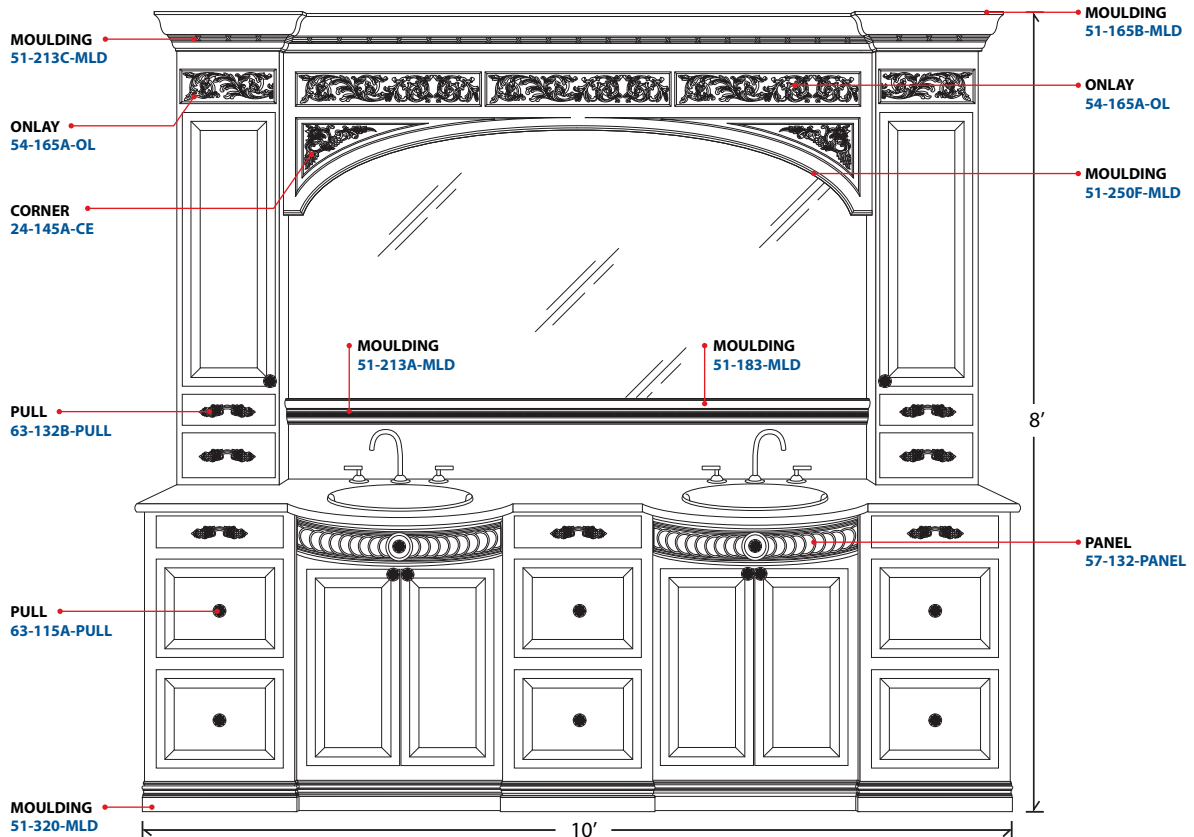




All sizes are approximate



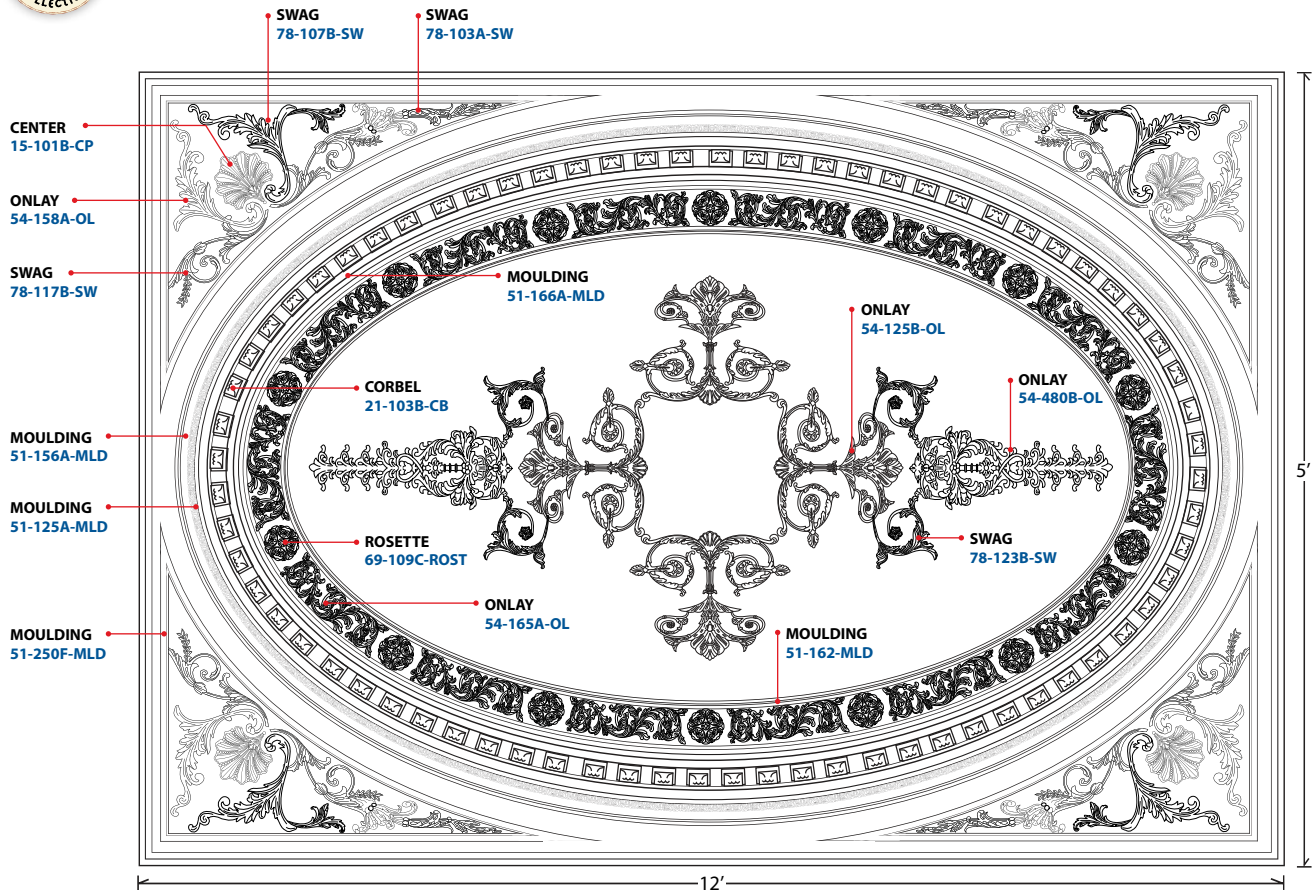
See the full line at [www.outwater.com](http://www.outwater.com)



All sizes are approximate



See the full line at [www.outwater.com](http://www.outwater.com)

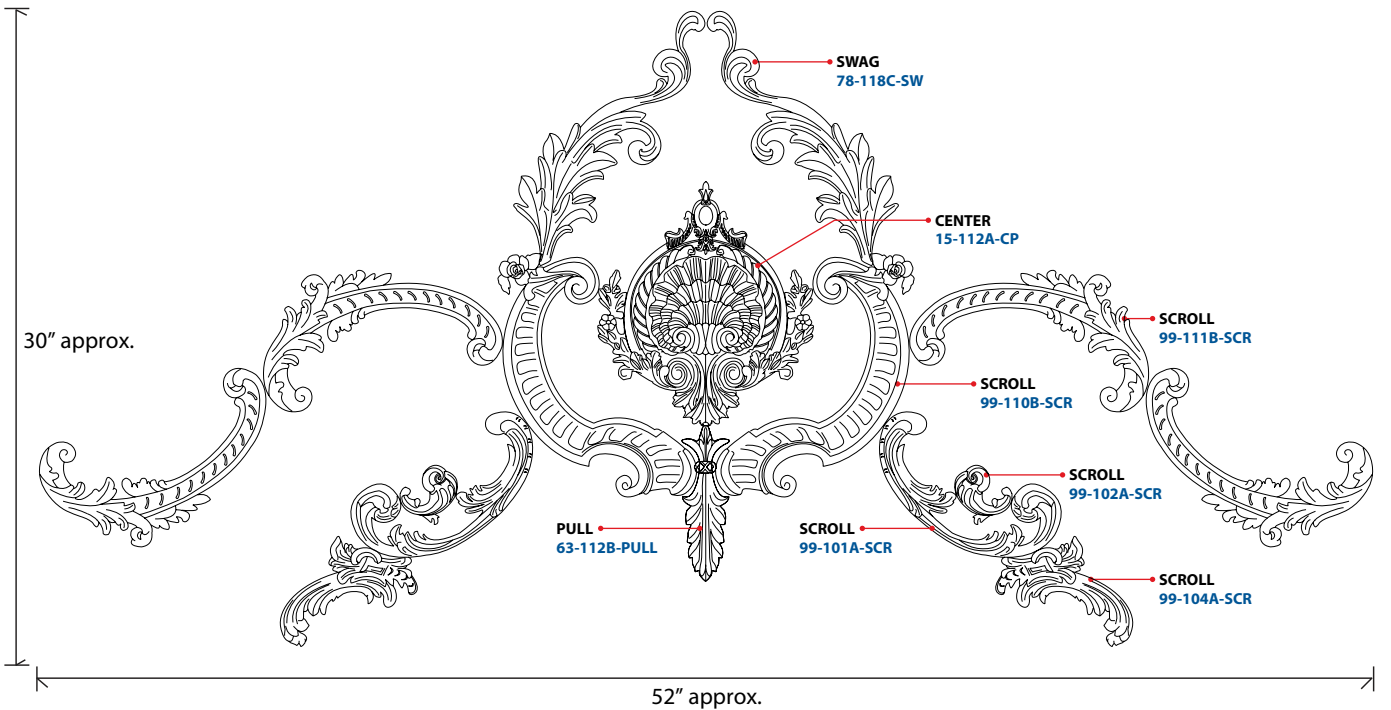




All sizes are approximate



See the full line at  
[www.outwater.com](http://www.outwater.com)

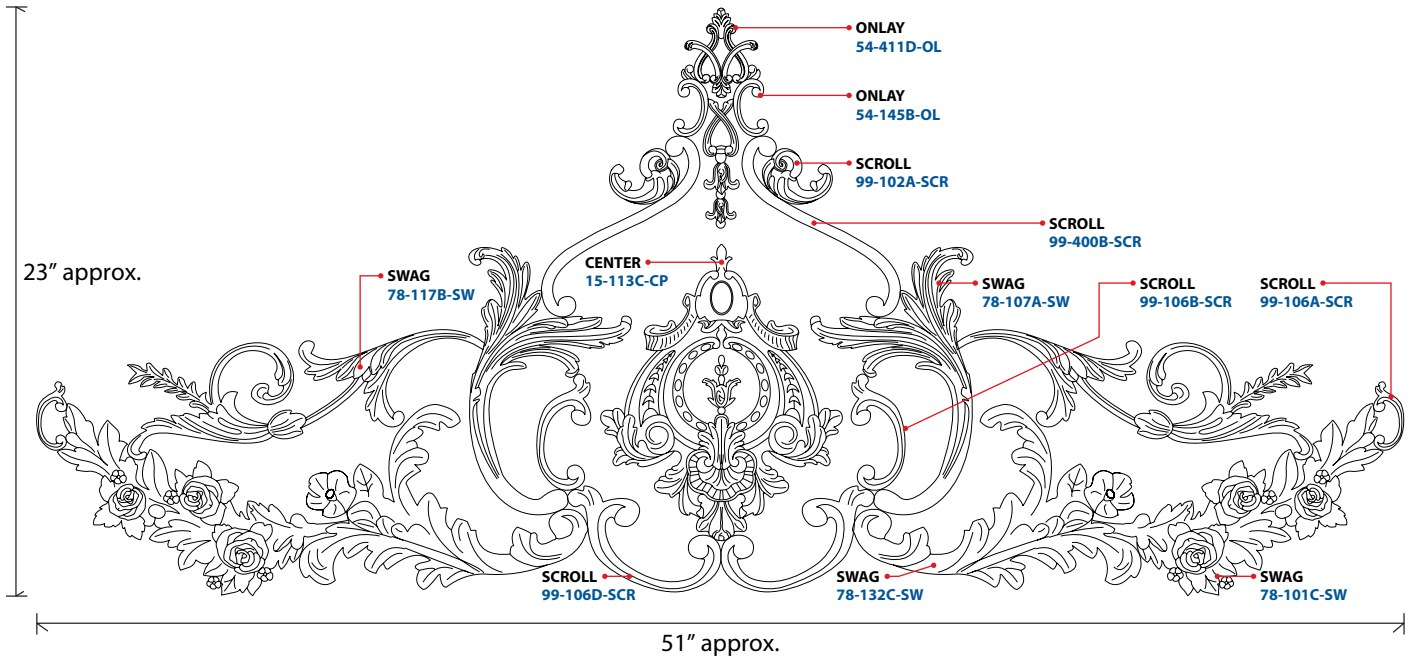




All sizes are approximate

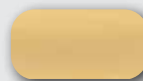


See the full line at [www.outwater.com](http://www.outwater.com)



# CAPITALS

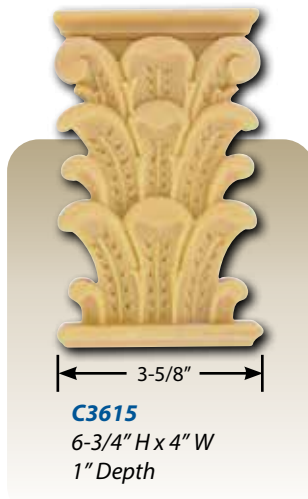
These ornaments are made of a Polymer Resin material. This is the true base finish shown "swatch".



Due to photographic imaging, products can vary in color.



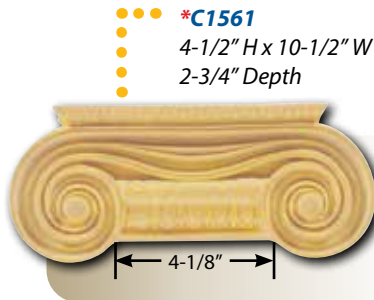
**\*C1001**  
5-3/4" H x  
3-1/4" W  
7/8" Depth



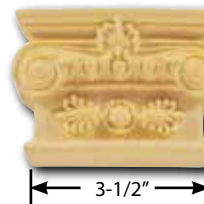
**C3615**  
6-3/4" H x 4" W  
1" Depth



**\*C1122**  
6" H x 7-1/8" W  
3-5/8" Depth



**\*C1561**  
4-1/2" H x 10-1/2" W  
2-3/4" Depth



**C1147**  
3" H x 4-1/8" W  
1" Depth

*\* Supplied with pre-attached keyhole hangers*

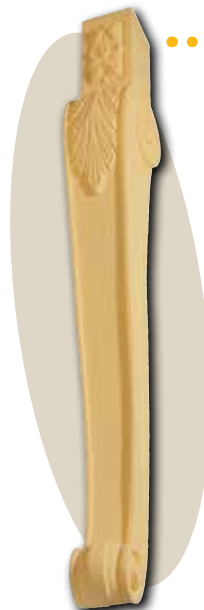
# BASES



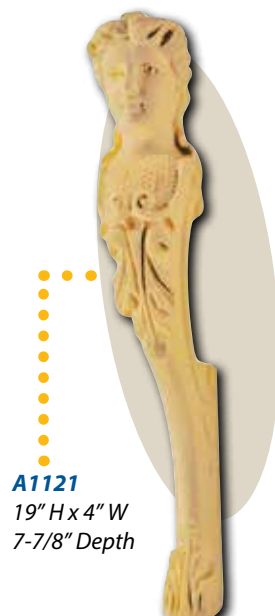
Shown : A3501



**A3501**  
32-1/2" H x 4-1/8" W  
1-3/4" Depth



**A4201**  
29" H x 3-3/8" W  
4-1/2" Depth

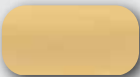


**A1121**  
19" H x 4" W  
7-7/8" Depth

(Measurements are approximate)

# CORBELS

These ornaments are made of a Polymer Resin material. This is the true base finish shown "swatch".



Due to photographic imaging, products can vary in color.

**\*C1029**  
5" H x  
2-5/8" W  
1-3/8" Depth



**\*C1014**  
8-3/4" H x  
3-3/4" W  
3-3/4" Depth



**\*C4044**  
14-3/4" H x 5" W  
5" Depth



**\*C1516**  
9" H x 5-1/4" W  
4-3/4" Depth



**\*C1573**  
11-3/4" H x 4-3/4" W  
5-1/2" Depth



**\*C1540**  
11-7/8" H x 6-7/8" W  
6-1/8" Depth



**\*C1539**  
23" H x 7-3/4" W  
7-1/4" Depth



FOR THIS DESIGN IN MORE SIZES, SEE PAGE L-27

*\* Supplied with pre-attached keyhole hangers*

# CENTERS



**A1217**  
12-3/4" H x 8-1/8" W  
3/4" Depth



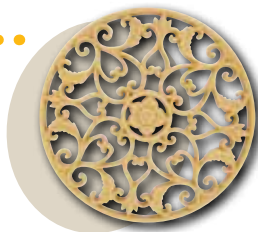
**\*A1218**  
11" H x 14-7/8" W  
1-3/8" Depth

*(Measurements are approximate)*



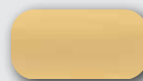
# DECOS

**D9006**  
17" Dia.  
3/4" Depth



**A2355**  
22-1/2" H x 6" W  
1-1/2" Depth

These ornaments are made of a Polymer Resin material. This is the true base finish shown "swatch".

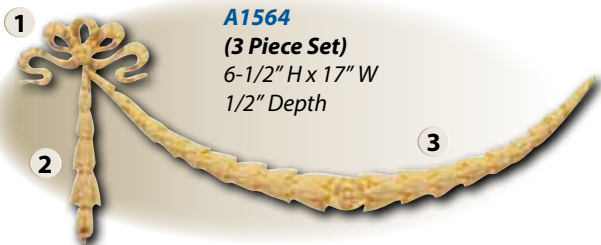


Due to photographic imaging, products can vary in color.



**A1008**  
7-1/2" H x 4-1/4" W  
1" Depth

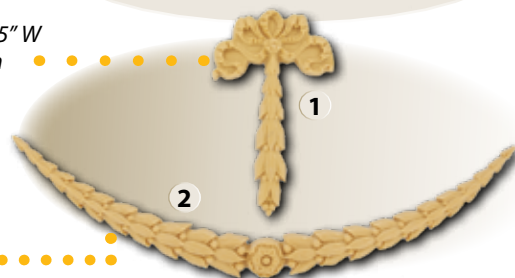
# FESTOONS



**A1564**  
(3 Piece Set)  
6-1/2" H x 17" W  
1/2" Depth

**A1567**  
(Bow)  
8-1/2" H x 5" W  
3/4" Depth

**A1566**  
(2 Piece Set)  
17-1/2" Long x 23" Wide x 3/4" Depth



**A1565**  
(Swag)  
19-1/2" Long  
3/4" Depth

# ROSETTES



**\*A3202**  
6-1/4" H x 6-1/4" W  
1-1/2" Depth

**\*A3203**  
6-1/4" H x 6-1/4" W  
1-1/2" Depth



# SCROLLS

SOLD AS A LEFT & RIGHT PAIR (dimensions are for one side only)

**A1315**  
Pair of Leaf Overlays  
10-1/2" H x 24-3/4" W x 1-1/2" Depth



(Measurements are approximate)

# APPLIQUES

These ornaments are made of a **Laminated Wood** with a **Maple Veneered Surface**. Detail is pressed in.



**RWA20-M**  
1-3/16" Dia.  
3/16" Depth



**RWA21-M**  
1-9/16" Dia.  
3/16" Depth



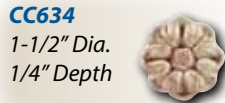
**RWA22-M**  
2-1/2" Dia.  
3/16" Depth



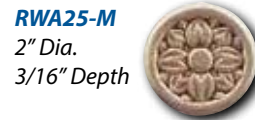
**RWA24-M**  
3-1/2" Dia.  
3/16" Depth



**CC632**  
1-3/8" Dia.  
1/4" Depth



**CC634**  
1-1/2" Dia.  
1/4" Depth



**RWA25-M**  
2" Dia.  
3/16" Depth



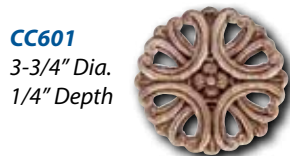
**RWA27-M**  
2-3/8" Dia.  
3/16" Depth



**RWA28-M**  
2-9/16" Dia.  
1/4" Depth



**CC677**  
3" Dia.  
1/4" Depth



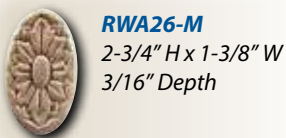
**CC601**  
3-3/4" Dia.  
1/4" Depth



**CC609**  
5-1/8" Dia.  
1/4" Depth



**RWA57-M**  
4-3/8" H x 5" W  
3/16" Depth



**RWA26-M**  
2-3/4" H x 1-3/8" W  
3/16" Depth



**RWA29-M**  
3-11/16" H x 1-7/8" W  
3/16" Depth



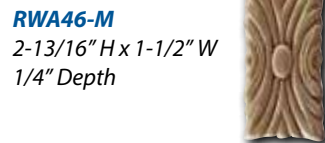
**RWA51-M**  
3" H x 5-3/4" W  
1/4" Depth



**CC635**  
1-3/4" Dia.  
1/4" Depth



**RWA47-M**  
2-3/16" H x 3" W  
3/16" Depth



**RWA46-M**  
2-13/16" H x 1-1/2" W  
1/4" Depth

(Measurements are approximate)

# APPLIQUES

These ornaments are made of a Laminated Wood with a Maple Veneered Surface. Detail is pressed in.



**RWA48-M**  
3-5/16" H x  
3-5/16" W  
1/4" Depth



**RWA50-M**  
5" H x 5" W  
3/16" Depth



**CC607**  
4" H x 3-3/4" W  
1/4" Depth

**CC687**  
5-3/4" H x 4" W  
1/4" Depth



**RWA52-M**  
3-11/16" H x 2-11/16" W  
3/16" Depth



**CC693**  
4-1/2" H x 4-1/2" W  
1/4" Depth



**CC606**  
2-1/2" H x 3-3/8" W  
1/4" Depth



**CC604**  
4" H x 3-3/8" W  
1/4" Depth



**CC640**  
2-3/4" H x 1" W  
1/4" Depth



**CC676**  
2-1/4" H x 1-7/8" W  
1/4" Depth

**RWA45-M**  
4-3/8" H x 6" W  
3/16" Depth



**RWA41-M**  
2-1/2" H x 3" W  
3/16" Depth

**RWA42-M**  
2-1/2" H x 5-3/4" W  
3/16" Depth



**RWA34-M**  
4-1/2" H x 9" W x 1/4" Depth



**RWS36-M**  
1-5/8" H x 8-3/8" W x 3/16" Depth



**RWS38-M**  
2-5/8" H x 9-1/4" W x 1/4" Depth

(Measurements are approximate)



# APPLIQUES

These ornaments are made of a Laminated Wood with a Maple Veneered Surface. Detail is pressed in.



**RWS47-M**  
3-1/2" H x 17-3/16" W x 1/4" Depth



**RWS45-M**  
3-5/8" H x 10-13/16" W x 3/16" Depth

**RWS50-M**  
4-3/8" H x 19-3/16" W x 1/4" Depth



**RWS37-M**  
4-1/4" H x 10-1/8" W x 3/16" Depth



**CC789**  
3-3/4" H x 16-1/4" W x 1/4" Depth



**CC727**  
5-5/8" H x 36-7/8" W x 1/4" Depth

**CC729**  
7" H x 41" W x 1/4" Depth



# SCROLLS

SOLD AS A LEFT & RIGHT PAIR (dimensions are for one side only)

These ornaments are made of a Laminated Wood with a Maple Veneered Surface. Detail is pressed in.



**RWS26-M**  
6" H x 3-3/8" W  
3/16" Depth

**RWS29-M**  
10-5/8" H x 2-3/4" W  
1/4" Depth



**RWS22-M**  
5-3/8" H x 2-3/8" W  
3/16" Depth

**RWS28-M**  
9-11/16" H x 3-3/8" W  
1/4" Depth



**CC605**  
1-3/8" H x 3-1/8" W x 1/4" Depth



**CC665**  
5-3/4" H x 11-1/4" W x 1/4" Depth



**CC776**  
2-3/8" H x 14-1/2" W x 1/4" Depth

(Measurements are approximate)

# Polyurethane Non-Textured Ornaments

## Ceiling & Wall Smooth Appliques & Scrolls

Manufactured of high density polyurethane, these plaster-like decorative ornaments are lightweight, primed and ready to paint.

**DSA-103**

3-3/8" Dia.  
3/4" Depth



**DSA-109**

5" Dia.  
3/4" Depth

**DSA-107**

4" Dia.  
3/4" Depth



**DSA-123**

4-3/4" H x 3-1/4" W  
1/2" Depth



**DSA-152**

6" H x 12-1/4" W  
3/4" Depth



**DSA-130**

6-1/2" H x 5" W  
1-1/4" Depth



**DSA-134**

6-3/4" H x 5-1/2" W  
5/8" Depth



**DSA-132**

6-1/2" H x 6-1/2" W  
7/8" Depth



**DSA-156**

9-13/16" H x 13-3/4" W  
1-3/8" Depth



**DSA-145**

7-7/8" H x 11-13/16" W  
1" Depth



**DSA-143**

9-1/8" H x 6-1/2" W  
1" Depth



**DSA-151**

11-13/16" H x 10-5/8" W  
5/8" Depth



**DSA-150**

10-3/4" H x 12" W  
1-1/4" Depth



**DSA-154**

12-1/4" H x 9" W  
1-1/4" Depth



**DSA-157**

13" H x 5-1/4" W  
1" Depth



**DSA-155**

14-5/8" H x 12" W  
1-1/4" Depth



**DSA-425**

6-1/2" H x 19" W  
1-1/4" Depth



**DSA-163**

20" H x 21" W  
2-3/8" Depth



**DSA-159**

13" H x 8-1/2" W  
1-1/4" Depth





Ceiling & Wall Smooth Appliques & Scrolls

Manufactured of high density polyurethane, these plaster-like decorative ornaments are lightweight, primed and ready to paint.

Appliques



**DSA-146**  
5-1/4" H x 10-1/2" W  
1-1/2" Depth



**DSA-410**  
6-1/4" H x 11-3/4" W  
1-1/2" Depth

**DSA-420**  
8-3/4" H x 16-1/2" W  
1-3/4" Depth

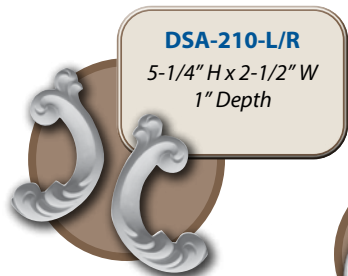


**DSA-167**  
6-5/8" H x 16-3/4" W  
7/8" Depth



**DSA-433**  
15-1/8" H x 28-3/4" W  
2-7/8" Depth

Scrolls



**DSA-210-L/R**  
5-1/4" H x 2-1/2" W  
1" Depth



**DSA-225-L/R**  
7-1/4" H x 5" W  
1" Depth



**DSA-220-L/R**  
8-1/2" H x 4" W  
1" Depth



**DSA-235-L/R**  
18" H x 7-1/4" W  
1-1/2" Depth



**DSA-230-L/R**  
11-1/4" H x 5-1/2" W  
1-1/8" Depth



**DSA-240-L/R**  
12-1/2" H x 7" W  
1-7/8" Depth

**DSA-245-L/R**  
12-1/4" H x 11-1/4" W  
1-3/16" Depth





# Polyurethane Non-Textured Ornaments

## Ceiling & Wall Smooth Appliques & Scrolls

### Wallscape Series

Manufactured of high density polyurethane, these plaster-like decorative ornaments are lightweight, primed and ready to paint.



**DSA-430**

9-3/4" H x 28-1/2" W  
2-3/4" Depth



**DSA-435**

12-1/4" H x 32" W  
2" Depth



**DSA-161**

13" H x 10-1/4" W  
2-1/4" Depth



**DSA-437**

14" H x 32" W  
2-1/2" Depth



**DSA-428**

28" H x 25" W  
2-1/2" Depth



**DSA-439**

5-3/4" H x 34-3/4" W  
1-1/2" Depth



**DSA-445**

7-1/4" H x 43-1/2" W  
1-1/2" Depth



**DSA-448**

9-1/2" H x 46-1/2" W  
1-1/4" Depth



**DSA-450**

6-1/2" H x 48" W  
2-1/4" Depth



Smooth Ceiling Ornaments

Manufactured of high density polyurethane, these plaster-like decorative ornaments are lightweight, primed and ready to paint.

SHOWN:  
DSA-165, DSA-167



**DSA-109**  
5" Dia.  
3/4" Depth



**DSA-165**  
10" H x 16" W  
5/8" Depth



**DSA-154**  
12-1/4" H x 9" W  
1-1/4" Depth



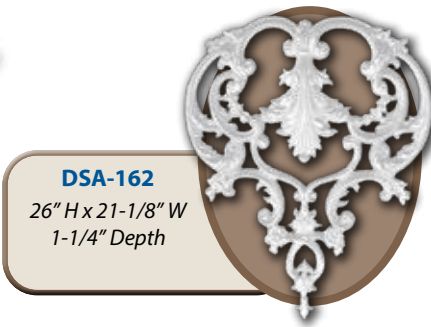
**DSA-167**  
8-1/4" O.H. x  
6-5/8" Cen. H. x  
16-3/4" W  
7/8" Depth



**DSA-159**  
13" H x 8-1/2" W  
1-1/4" Depth



SHOWN:  
DSA-154,  
DSA-159,  
DSA-109



**DSA-162**  
26" H x 21-1/8" W  
1-1/4" Depth



Ceiling Corner



**DSA-170**  
18-1/4" H x 18-1/4" W  
2-1/4" Depth

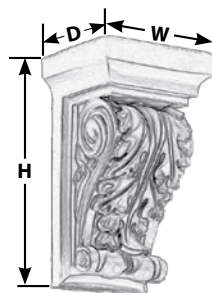


# CORBELS

These **DECORATIVE** high density **Smooth** Corbels are lightweight, primed and ready to paint.



Part #	Height	Width	Depth	Keyhole
A DCOR-05-XS	3-13/16"	2-9/16"	1-1/2"	No
B DCOR-07-XS	4-1/2"	3"	1-3/4"	No
C DCOR-12-XS	5-1/2"	4"	2"	No
D DCOR-15-XS	5-3/4"	4-1/8"	2-1/4"	No
E DCOR-20-XS	5-3/4"	3-7/16"	2-3/4"	No
F DCOR-23-XS	6-1/2"	4-5/16"	2-1/4"	No
G DCOR-25-XS	6-3/8"	4-3/8"	2-11/16"	Yes
H DCOR-30-XS	7-7/8"	3-1/4"	2-1/2"	No
I DCOR-35-S	7-3/4"	4-7/8"	2-3/8"	Yes
J DCOR-38-S	8-1/4"	5-3/16"	3-1/4"	Yes





# CORBELS

These **DECORATIVE** high density **Smooth Corbels** are lightweight, primed and ready to paint.



O

L

M

N

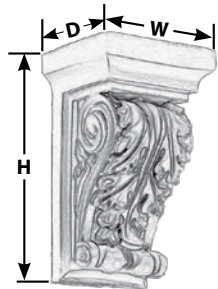
K

P

Q

S

R



	Part #	Height	Width	Depth	Keyhole
K	DCOR-40-S	8-1/8"	4-7/8"	3-7/16"	Yes
L	DCOR-45-S	9-3/8"	6-3/16"	4-5/8"	Yes
M	DCOR-55-S	9-1/2"	4-13/16"	2-1/2"	Yes
N	DCOR-61-M	11"	7-13/16"	3-3/4"	Yes
O	DCOR-65-M	12-1/8"	5-1/8"	5-5/16"	Yes
P	DCOR-80-L	15"	8-1/2"	4-3/4"	Yes
Q	DCOR-86-L	17-3/8"	5-13/16"	4-1/8"	No
R	DCOR-91-XL	26-7/8"	5"	5"	No
S	DCOR-95-XL	41-1/2"	8-1/8"	7-1/4"	No



# Kitchen Island Legs

## Solid North American Hardwood

North American Hard Maple, Red Oak, Cherry or Hardwood (Paint Grade).

Large 5" Diameter



**HALF ROUND**  
(Flush Mount)  
2-3/8" PROJECTION  
ISL-H-55-M-5  
ISL-H-55-OAK-5  
ISL-H-55-CH-5  
ISL-H-55-HW-5



**ACANTHUS LEAF**  
ISL-60-M-5  
ISL-60-OAK-5  
ISL-60-CH-5  
ISL-60-HW-5



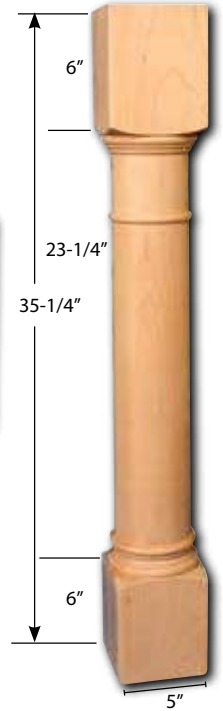
**GRAPE**  
ISL-65-M-5  
ISL-65-OAK-5  
ISL-65-CH-5



**HERRINGBONE COLLECTION**  
ISL-70-M-5  
ISL-70-OAK-5  
ISL-70-CH-5



**OPEN WEAVE**  
ISL-90-M-5  
ISL-90-OAK-5  
ISL-90-CH-5



**COLUMN**  
ISL-75-M-5  
ISL-75-OAK-5  
ISL-75-CH-5  
ISL-75-HW-5

For more Legs, see pages E-2~11

Receptacle Notch Service Available, Please Inquire

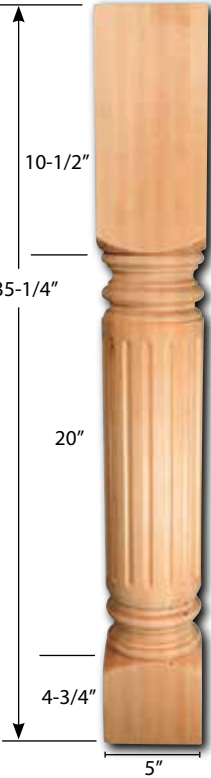
Solid North American Hardwood

North American Hard Maple, Red Oak, Cherry or Hardwood (Paint Grade).

Large 5" Diameter



**ROPE**  
 ISL-35-M-5  
 ISL-35-OAK-5  
 ISL-35-CH-5  
 ISL-35-HW-5



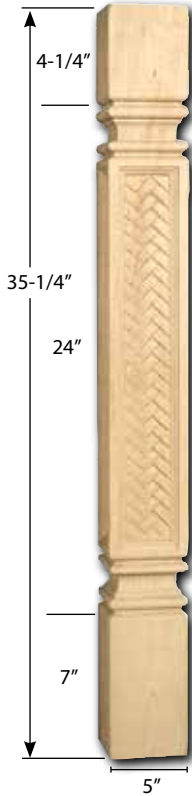
**FLUTED**  
 ISL-40-M-5  
 ISL-40-OAK-5  
 ISL-40-CH-5  
 ISL-40-HW-5



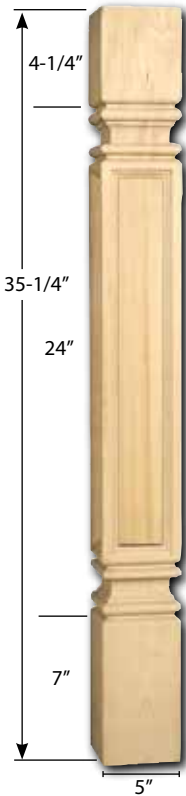
**FRENCH**  
 ISL-45-M-5  
 ISL-45-OAK-5  
 ISL-45-CH-5  
 ISL-45-HW-5



**FULL ROUND**  
 ISL-50-M-5  
 ISL-50-OAK-5  
 ISL-50-CH-5  
 ISL-50-HW-5



**MISSION WEAVE**  
 ISL-80-M-5  
 ISL-80-OAK-5  
 ISL-80-CH-5



**MISSION PLAIN**  
 ISL-85-M-5  
 ISL-85-OAK-5  
 ISL-85-CH-5  
 ISL-85-HW-5

Receptacle Notch Service Available, Please Inquire



# Kitchen Island Legs & Corner Posts

## Solid North American Hardwood

North American Hard Maple, Red Oak, Cherry or Hardwood (Paint Grade).

### 3 3/4" Island Legs

**COLUMN**  
 ISL-75-M  
 ISL-75-OAK  
 ISL-75-CH  
 ISL-75-HW

**HERRINGBONE COLLECTION**  
 ISL-70-M  
 ISL-70-OAK  
 ISL-70-CH

**MISSION WEAVE**  
 ISL-80-M  
 ISL-80-OAK  
 ISL-80-CH

**MISSION PLAIN**  
 ISL-85-M  
 ISL-85-OAK  
 ISL-85-CH  
 ISL-85-HW

**OPEN WEAVE**  
 ISL-90-M  
 ISL-90-OAK  
 ISL-90-CH

### 2 3/4" Corner Posts

All corner posts dimensions:  
 34-1/2" High, 2-3/4" Deep, 2-3/4" Wide.

**GRAPE**  
 CCP-10-M  
 CCP-10-OAK  
 CCP-10-CH

**ACANTHUS LEAF**  
 CCP-20-M  
 CCP-20-OAK  
 CCP-20-CH  
 CCP-20-HW

**WEAVE**  
 CCP-30-M  
 CCP-30-OAK  
 CCP-30-CH

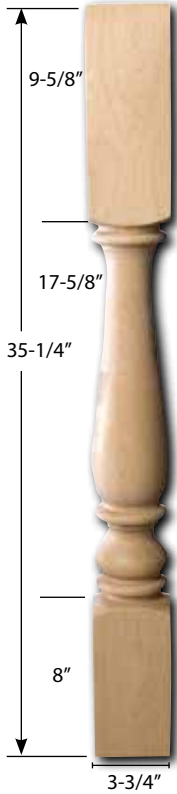
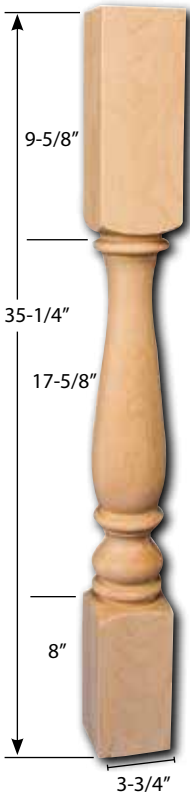
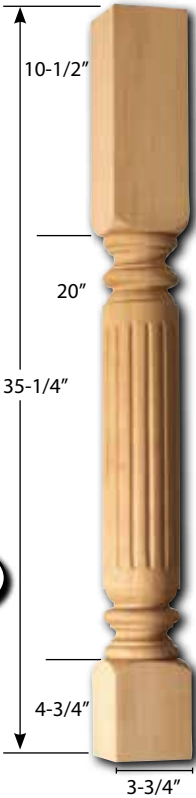
Receptacle Notch Service Available, Please Inquire

Solid North American Hardwood

3 3/4"



- North American Hard Maple, Red Oak, Cherry or Hardwood (Paint Grade).
- No Sanding - Ready to Finish.
- Stain or Paint.



**ROPE**  
*(right twist only)*

ISL-35-M  
ISL-35-OAK  
ISL-35-CH  
ISL-35-HW

**GRAPE**

ISL-65-M  
ISL-65-OAK  
ISL-65-CH

**FLUTED**

ISL-40-M  
ISL-40-OAK  
ISL-40-CH  
ISL-40-HW

**FRENCH**

ISL-45-M  
ISL-45-OAK  
ISL-45-CH  
ISL-45-HW

**FULL ROUND**

ISL-50-M  
ISL-50-OAK  
ISL-50-CH  
ISL-50-HW

**HALF ROUND**  
*(flush mount)*

1-3/4" PROJECTION  
ISL-H-55-M  
ISL-H-55-OAK  
ISL-H-55-CH  
ISL-H-55-HW

**ACANTHUS LEAF**

ISL-60-M  
ISL-60-OAK  
ISL-60-CH  
ISL-60-HW

Receptacle Notch Service Available, Please Inquire

# Kitchen Island Legs

## Solid North American Hardwood

North American Hard Maple, Red Oak, Cherry or Hardwood (Paint Grade).



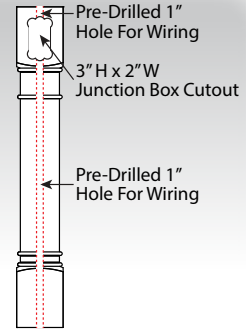
### Receptacle Notch Service

No intricate cutting is required as post(s) arrives with standard box in place ready to accept wiring and outlet.

#### Electrical Receptacle includes:

- Hole through the leg center for wiring application
- Receptacle notch
- Standard receptacle box

(Outlet Cover Not Included)



### FULL ROUND

3-3/4"

5"

ISL-50-M-OUTLET  
ISL-50-HW-OUTLET

ISL-50-M-5-OUTLET  
ISL-50-HW-5-OUTLET



### COLUMN

3-3/4"

5"

ISL-75-HW-OUTLET

ISL-75-HW-5-OUTLET



### MISSION PLAIN

3-3/4"

5"

ISL-85-M-OUTLET  
ISL-85-HW-OUTLET

ISL-85-M-5-OUTLET  
ISL-85-HW-5-OUTLET





Solid North American Hardwood

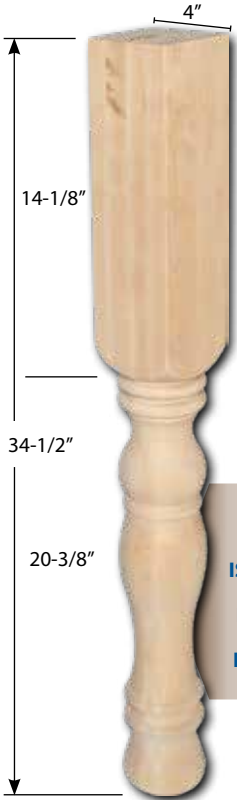
North American Hard Maple, Red Oak, Cherry or Hardwood (Paint Grade).



- ISL-10-M
- ISL-10-OAK
- ISL-10-CH
- ISL-10-HW



- ISL-15-M
- ISL-15-OAK
- ISL-15-CH
- ISL-15-HW



- ISL-20-M
- ISL-20-OAK
- ISL-20-CH
- ISL-20-HW



- ISL-25-M
- ISL-25-OAK
- ISL-25-CH
- ISL-25-HW



- ISL-25-M-5
- ISL-25-OAK-5
- ISL-25-CH-5
- ISL-25-HW-5



- ISL-30-M
- ISL-30-OAK
- ISL-30-CH
- ISL-30-HW



- ISL-30-M-5
- ISL-30-OAK-5
- ISL-30-CH-5
- ISL-30-HW-5